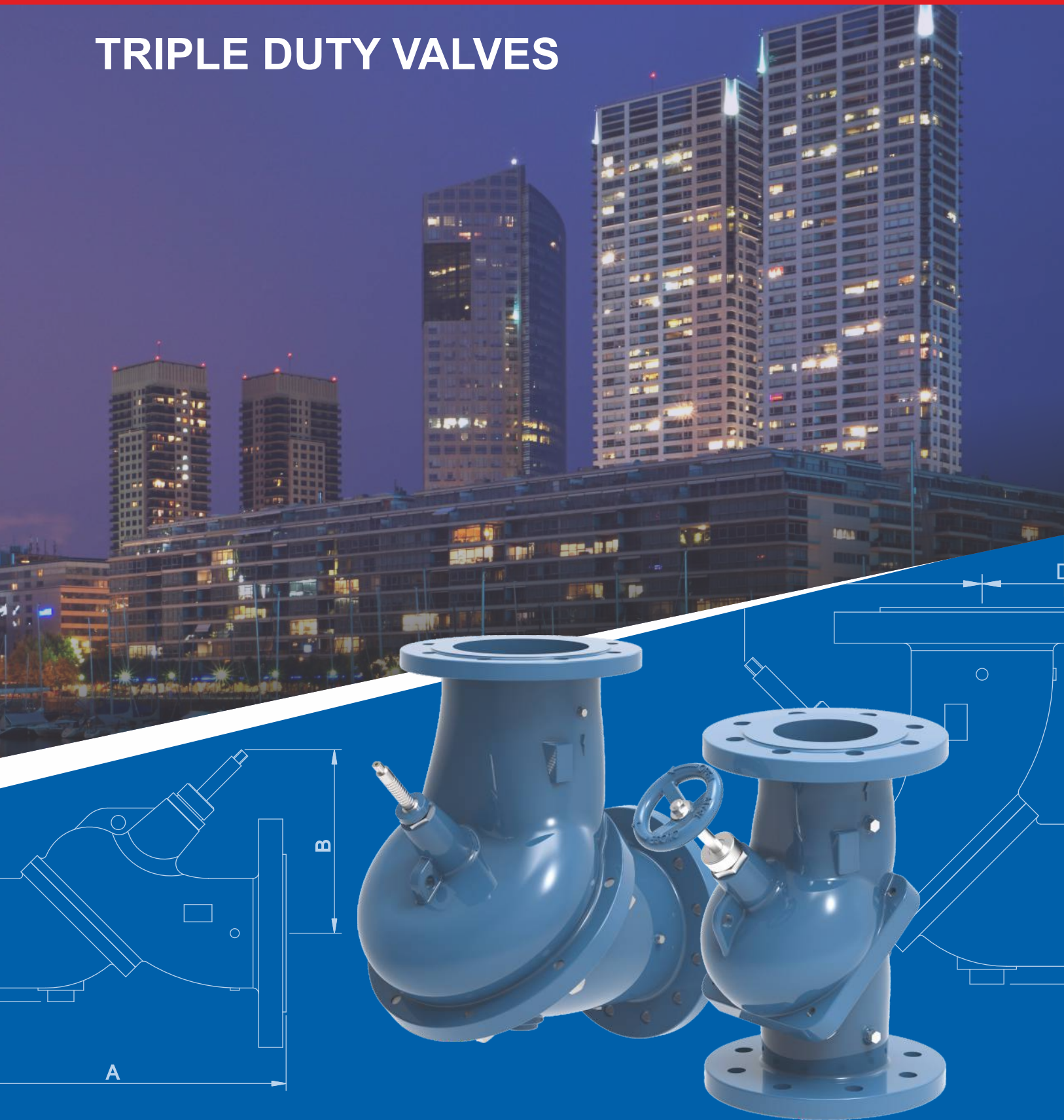


TRIPLE DUTY VALVES



This page is intentionally left blank.

TRIPLE DUTY VALVES

CONTENTS

General Data	4
Material of Construction	5
Model Code	6
Order Information	7
Typical Installation	8
Pressure vs Temperature Ratings	9
Pressure Drop Chart	10
Dimensions	11

TRIPLE DUTY VALVES

SIZE: 2½" to 12"

GENERAL DATA

ANSI 125 / ANSI 250

PREFACE

The **NORTHAM** NG-T Series Triple Duty Valves save space and reduces purchase and installation costs by combining all the functions normally required on the discharge side of most HVAC systems into one convenient design. It features a calibrated balance valve, non-slam check valve, and positive shut-off valve all combined into one.

The calibrations on the Triple Duty Valve allows you to accurately set your system flow rate and it also helps you easily reset the valve after shut-off. The soft seat design of the disc prevents noise and potential damage that can be associated with valve chatter. It also provides positive shut-off allowing you to isolate the pump from the rest of your system. The non-slam check valve prevents backflow and gravity circulation in staged pumping and parallel pumping systems, preventing damage to the pump and unwanted heat transfer through your system.

With our wide range of sizes, end connections, and valve configurations the Northam Triple Duty Valve is a great complement for your HVAC pump and system needs.

FEATURES

- ▶ Performs as spring-loaded non-slam check, balancing, shut-off and throttling valve.
- ▶ Soft seated and accurately guided spring loaded disc ensures a leak free seal.
- ▶ The triple duty valves have been designed using CFD techniques to minimize head loss.
- ▶ Valve can be inline or right angle configuration.
- ▶ Drain plugs are provided at inlet and outlet of valve.
- ▶ Compact design.
- ▶ Spring-loaded disc ensures positive sealing and eliminates chatter.
- ▶ Flanges as per ANSI 125, ANSI 250, PN 16 and PN 25.

APPLICATIONS

- ▶ HVAC chilled water plants for air Conditioning of buildings, shopping malls, auditoriums, sports complexes, airports, etc.
- ▶ HVAC chilled water plants for Industries like pharmaceuticals, food & beverage, chemical, manufacturing etc.

TECHNICAL DATA

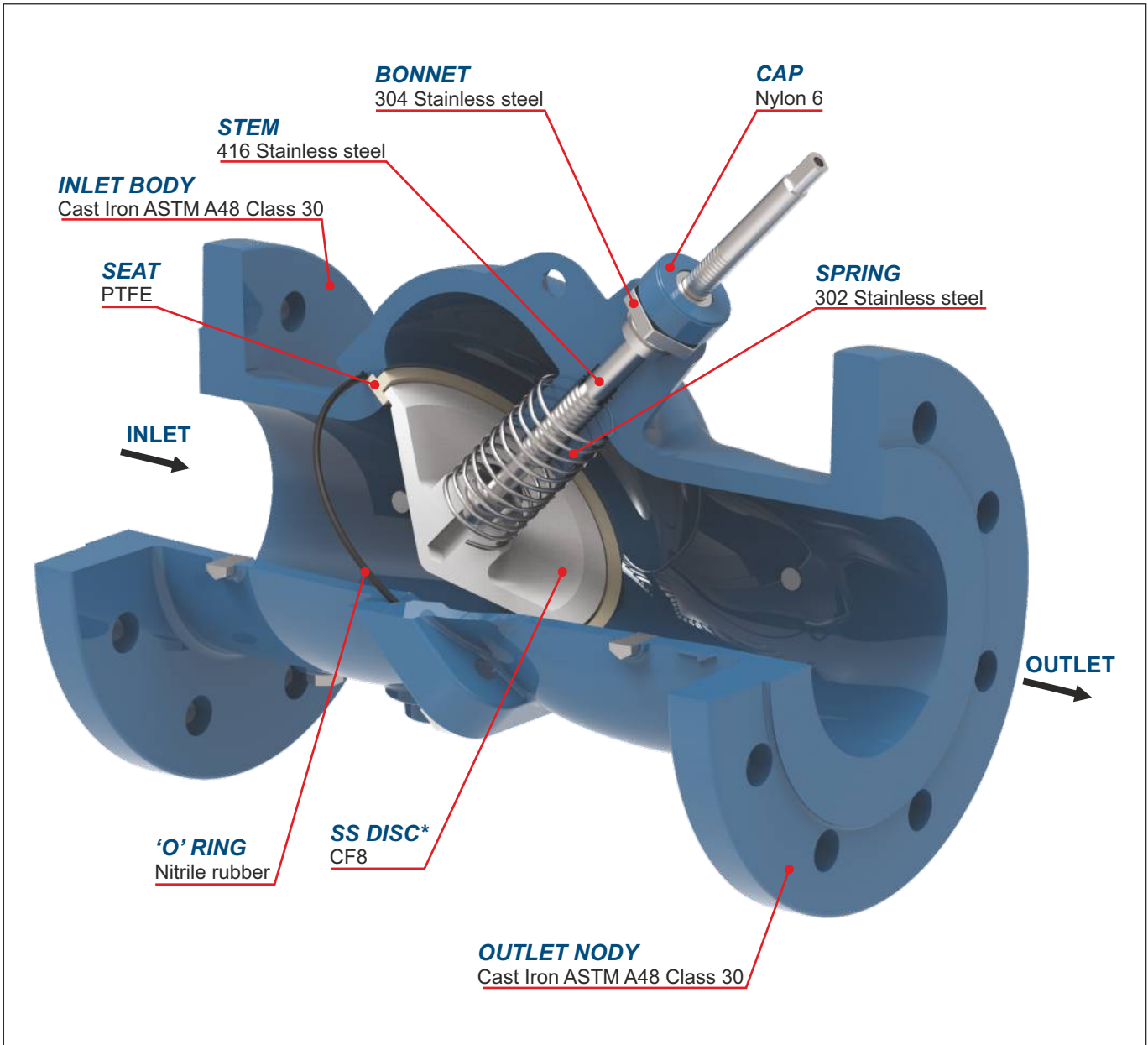
Connection size	2½" inch to 12 inch
Pressure rating	125 psi, 250 psi, 16 bar, 25 bar

TRIPLE DUTY VALVES

SIZE: 2½" to 12"

MATERIAL OF CONSTRUCTION

ANSI 125 / ANSI 250



TRIPLE DUTY VALVES

SIZE: 2½" to 12"

MODEL CODE

ANSI 125 / ANSI 250

NG **T** **S** **025** **A**

Pressure rating

Code	Class
A	ANSI 125 (125 psi)
B	ANSI 250 (250 psi)
C	PN 16 (16 bar)
D	PN 25 (25 bar)

Connection size

Code	Size
025	2½" (65 mm)
030	3" (80 mm)
040	4" (100 mm)
050	5" (125 mm)
060	6" (150 mm)
080	8" (200 mm)
100	10" (250 mm)
120	12" (300 mm)

Configuration

Code	Configuration
S	In-line/Straight
A	Right angle

Product type

Code	Type
T	Triple duty valve

Series name

Code	Series
NG	General product

Example:

NG-T-S-025-A = General product series, Triple duty valve, Straight/In-line configuration, 2½" Connection size, ANSI 125 Pressure rating.

TRIPLE DUTY VALVES

SIZE: 2½" to 12"

ORDER INFORMATION

ANSI 125 / ANSI 250

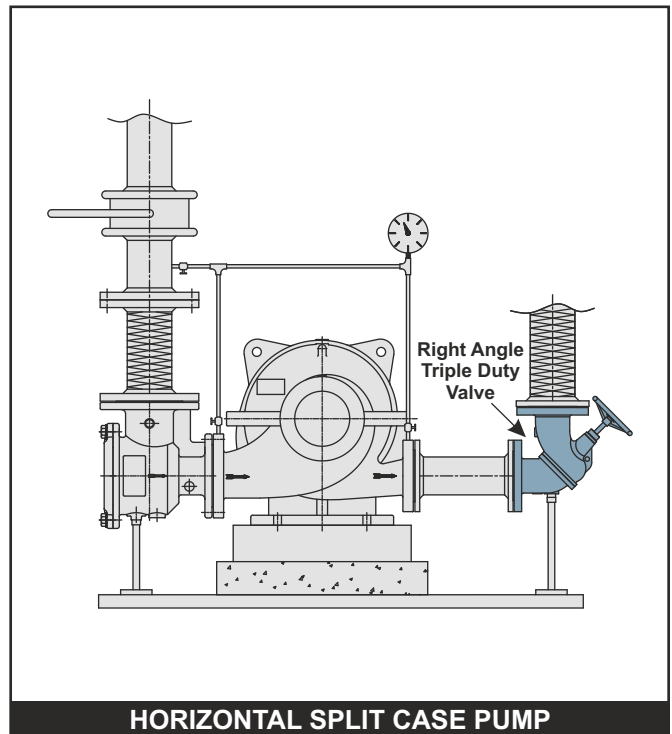
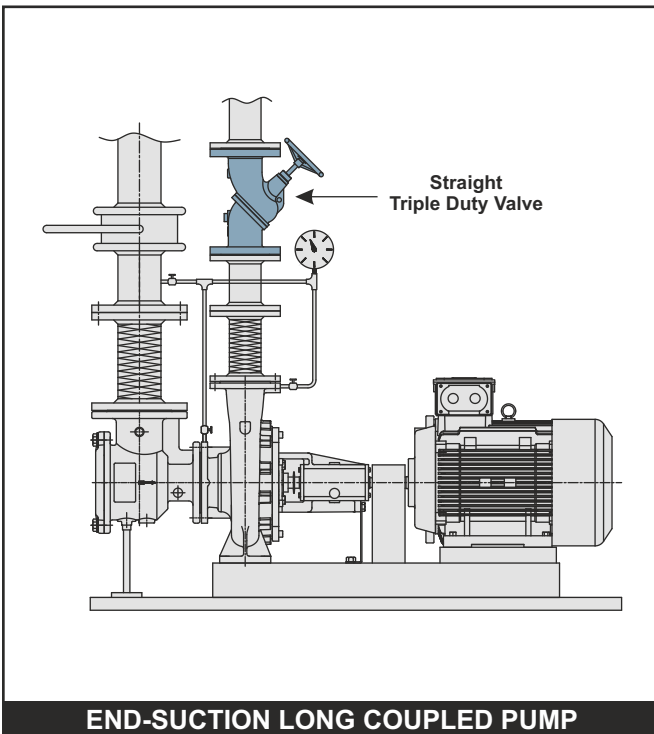
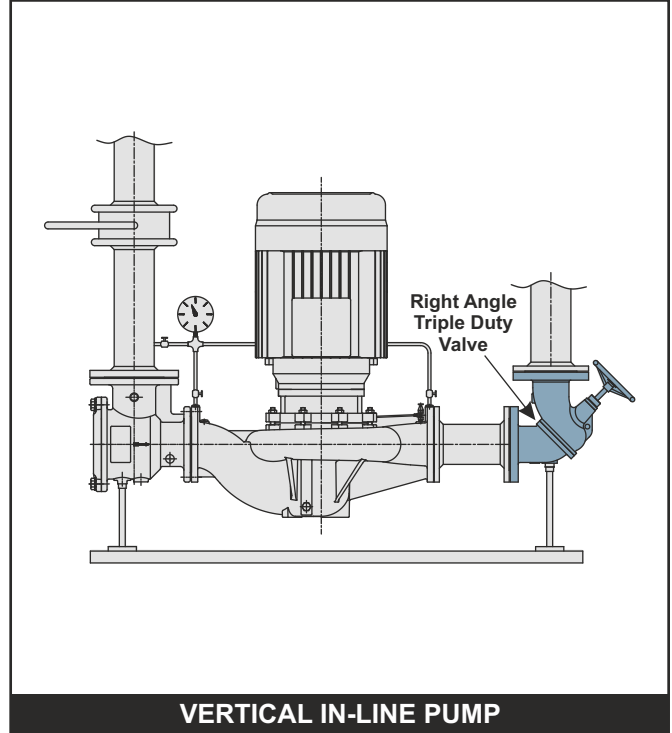
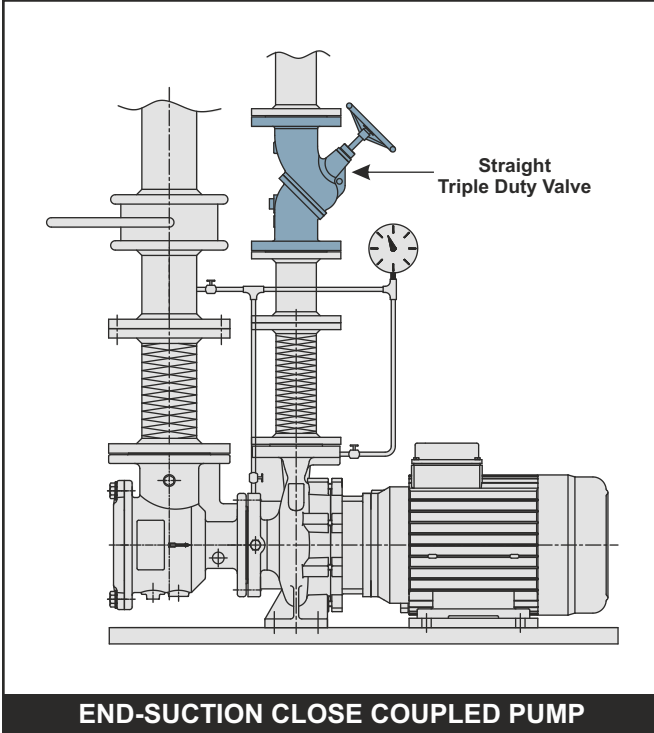
CONNECTION SIZE	ORDER NO. / MODEL CODE			
	IN-LINE/STRAIGHT CONFIGURATION		RIGHT ANGLE CONFIGURATION	
	ANSI 125	ANSI 250	ANSI 125	ANSI 250
2½"	NG-T-S-025-A	NG-T-S-025-B	NG-T-A-025-A	NG-T-A-025-B
3"	NG-T-S-030-A	NG-T-S-030-B	NG-T-A-030-A	NG-T-A-030-B
4"	NG-T-S-040-A	NG-T-S-040-B	NG-T-A-040-A	NG-T-A-040-B
5"	NG-T-S-050-A	NG-T-S-050-B	NG-T-A-050-A	NG-T-A-050-B
6"	NG-T-S-060-A	NG-T-S-060-B	NG-T-A-060-A	NG-T-A-060-B
8"	NG-T-S-080-A	NG-T-S-080-B	NG-T-A-080-A	NG-T-A-080-B
10"	NG-T-S-100-A	NG-T-S-100-B	NG-T-A-100-A	NG-T-A-100-B
12"	NG-T-S-120-A	NG-T-S-120-B	NG-T-A-120-A	NG-T-A-120-B

TRIPLE DUTY VALVES

SIZE: 2½" to 12"

TYPICAL INSTALLATION

ANSI 125 / ANSI 250

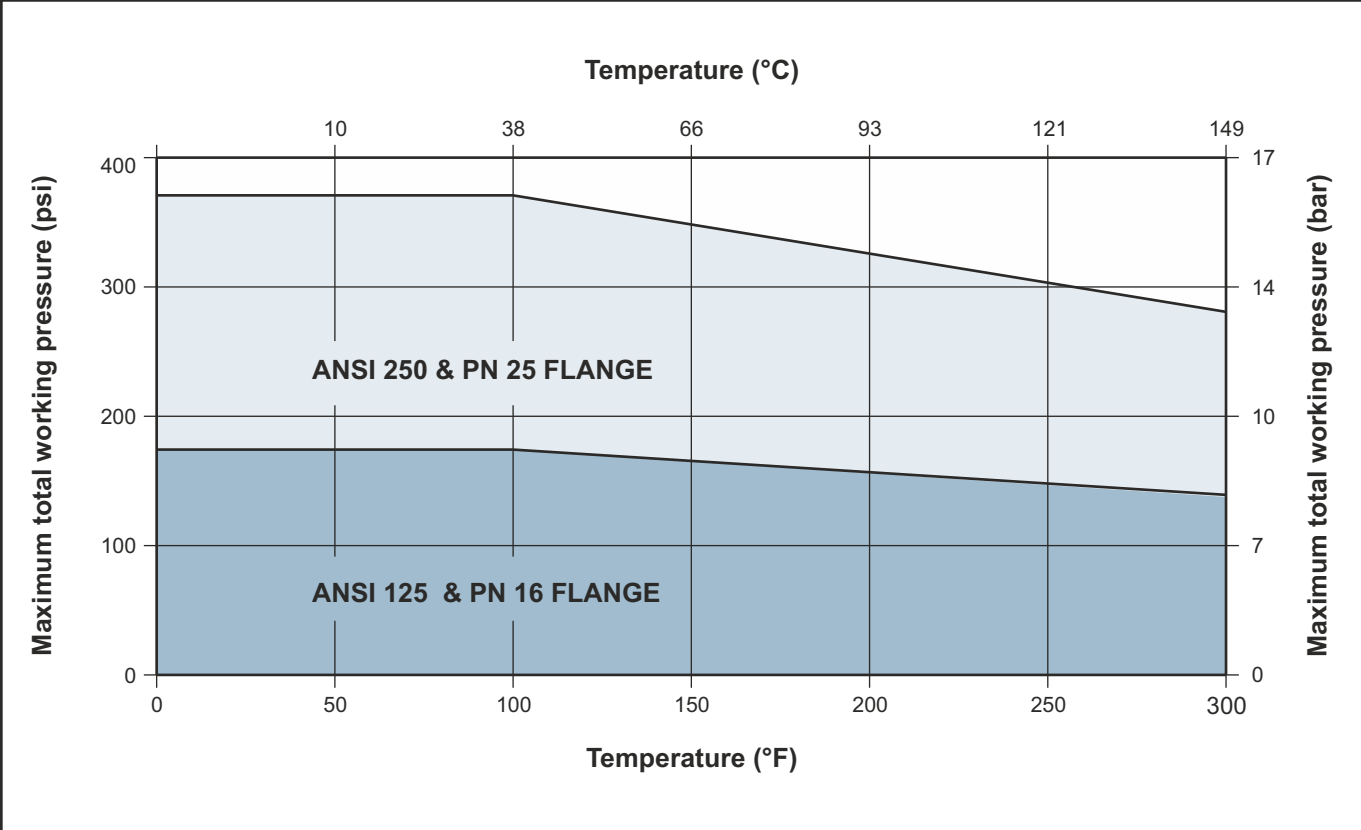


TRIPLE DUTY VALVES

SIZE: 2½" to 12"

PRESSURE vs TEMPERATURE RATINGS

ANSI 125 / ANSI 250

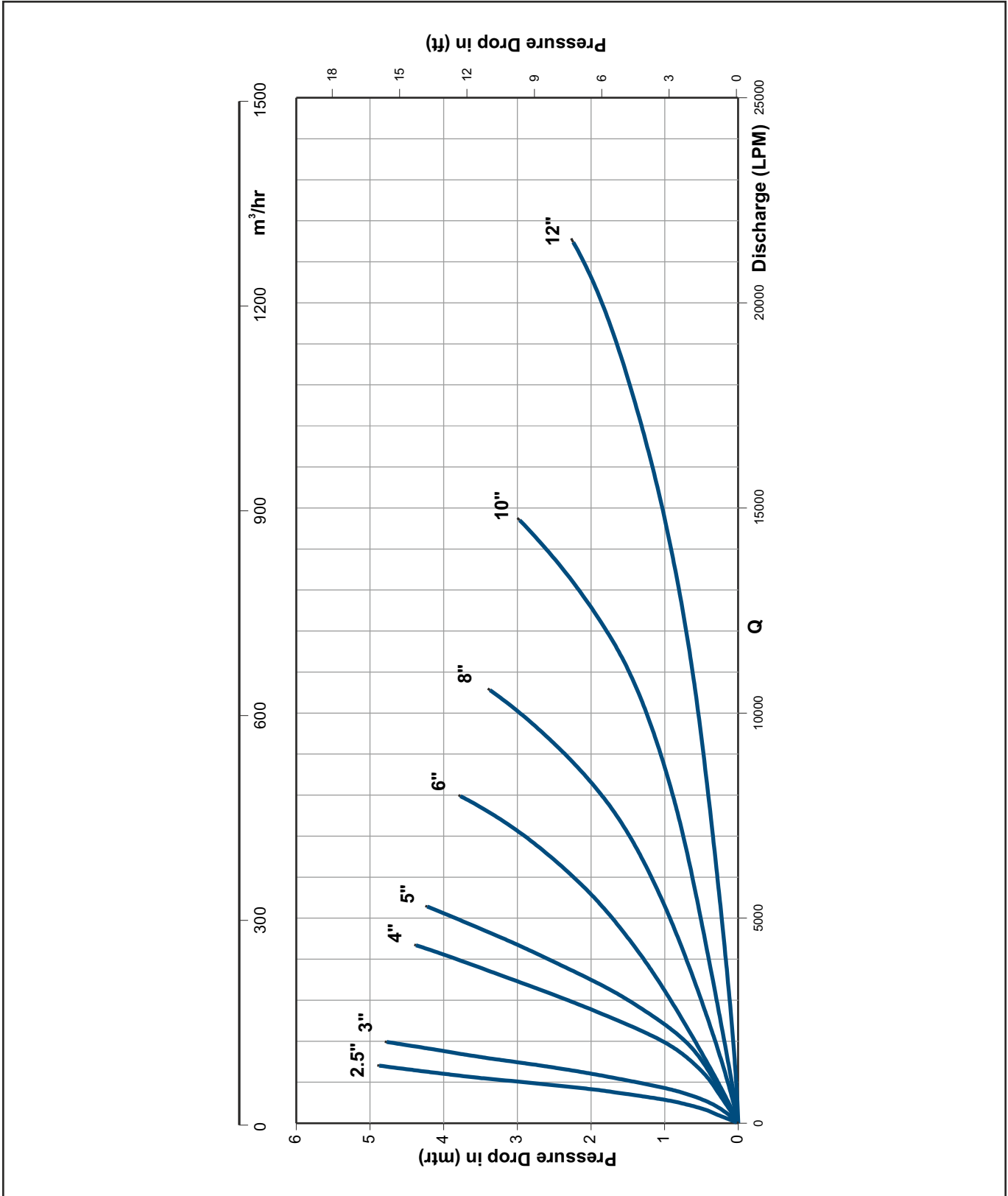


TRIPLE DUTY VALVES

SIZE: 2½" to 12"

PRESSURE DROP CHART

ANSI 125 / ANSI 250

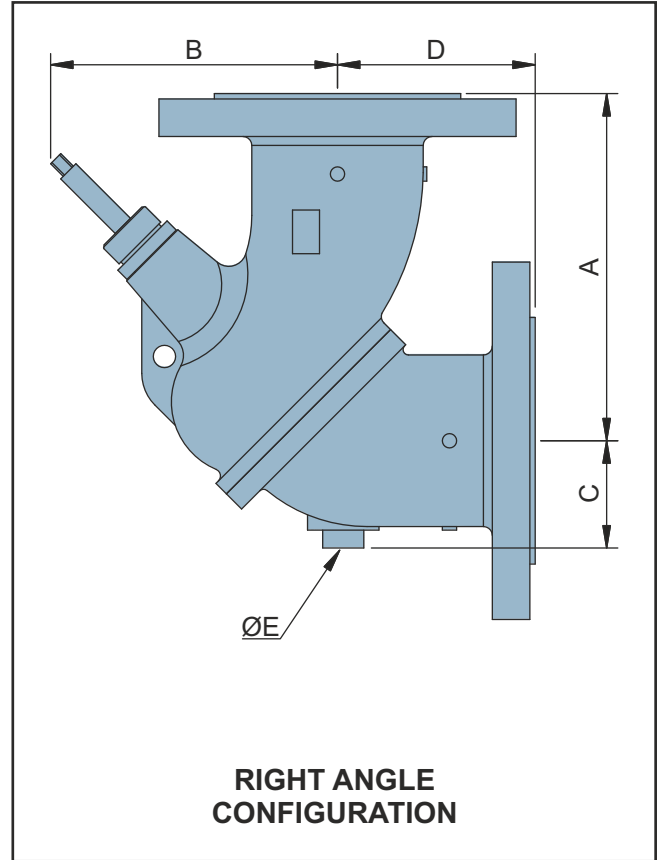
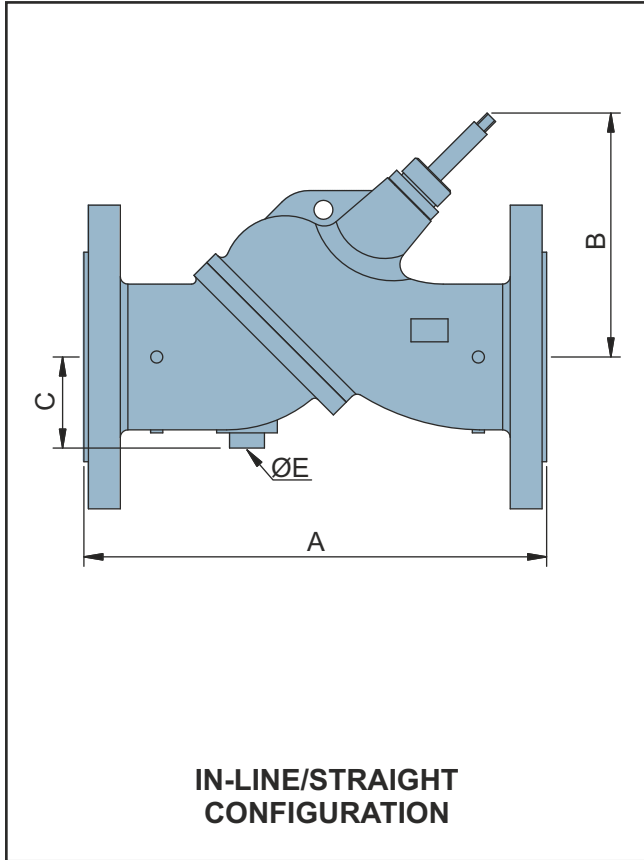


TRIPLE DUTY VALVES

SIZE: 2½" to 12"

DIMENSIONS

ANSI 125 / ANSI 250



TYPE	CONNECTION SIZE [inch]	CONFIGURATION	A [inch]	B [inch] FULLY OPEN	C [inch]	D [inch]	E [inch]	WEIGHT [lbs]
NG-T-S-025	2½	IN-LINE/ STRAIGHT	12.01	6.54	2.09	-	0.91	6
NG-T-S-030	3		12.01	7.09	2.36	-	0.91	7
NG-T-S-040	4		14.02	7.87	2.83	-	1.18	12
NG-T-S-050	5		17.52	9.57	3.35	-	1.18	19
NG-T-S-060	6		20.67	11.14	4.02	-	1.93	31
NG-T-S-080	8		27.95	12.13	5.04	-	2.17	59
NG-T-S-100	10		29.92	14.17	6.14	-	2.17	95
NG-T-S-120	12		37.80	14.17	6.69	-	2.17	186
NG-T-A-025	2½	RIGHT ANGLE	7.68	6.54	2.09	4.37	0.91	6
NG-T-A-030	3		7.68	7.09	2.36	4.37	0.91	7
NG-T-A-040	4		8.98	7.87	2.83	5.08	1.18	12
NG-T-A-050	5		10.71	3.35	3.35	6.81	1.18	19
NG-T-A-060	6		12.52	11.14	4.02	8.19	1.93	31
NG-T-A-080	8		17.60	12.13	5.04	10.39	2.17	59
NG-T-A-100	10		19.96	14.17	6.14	10.00	2.17	95
NG-T-A-120	12		22.91	14.17	6.69	14.96	2.17	186

NOTE: ALL DIMENSIONS ARE INCHES UNLESS OTHERWISE NOTED.
SEE PAGE 12 TO 13 FOR FLANGE DIMENSIONS.



Northam Inc.

995/C Griffin Pond Road, Clarks Summit, PA 18411, USA
Phone : +1-570-659-7200, Email : sales@northam-inc.com

Product Improvement and changes are a continuous process at 'Northam'. The data given in this publication is therefore subject to revision.