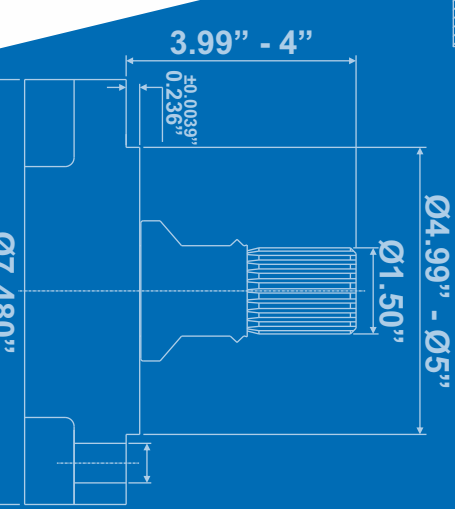


## Submersible Motors 4 Pole Standard & 316SS construction



## 8 INCH WATER FILLED STANDARD MOTOR

### TECHNICAL DATA

### SUBMERSIBLE MOTOR 60 Hz - 4 POLE

### 8" WF STANDARD

Type	P <sub>n</sub> [hp]	S.F	U <sub>N</sub> [V]	Thrust Load [N]	I <sub>N</sub> [A]	n <sub>N</sub> [min <sup>-1</sup> ]	Efficiency [%]	Cos φ [P.F]	T <sub>N</sub> [Nm]	I <sub>ST</sub> /I <sub>N</sub> [A]	Length [L] [inch]	Shipping Weight [lbs]
							F.L	F.L				
NM-8-0100-4604	10	1.15	460	45000	15.0	1730	80.46	0.782	41.0	4.50	36.5	321
NM-8-0150-4604	15	1.15	460	45000	22.1	1730	81.30	0.785	60.4	4.52	36.5	336
NM-8-0200-4604	20	1.15	460	45000	28.9	1730	83.09	0.790	82.2	4.54	40.4	356
NM-8-0250-4604	25	1.15	460	45000	35.7	1710	83.31	0.793	101.3	4.55	42.4	374
NM-8-0300-4604	30	1.15	460	45000	42.8	1710	83.22	0.797	120.8	4.56	43.3	385
NM-8-0400-4604	40	1.15	460	45000	60.0	1710	83.57	0.800	164.7	4.58	46.3	411
NM-8-0500-4604	50	1.15	460	45000	73.0	1710	82.78	0.820	204.8	4.59	50.2	446
NM-8-0600-4604	60	1.15	460	45000	85.0	1710	84.20	0.825	248.7	4.61	52.6	468
NM-8-0750-4604	75	1.15	460	45000	103.0	1720	84.38	0.830	303.9	4.62	56.1	499

## 8 INCH WATER FILLED 316 STAINLESS STEEL MOTOR

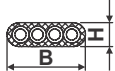
### TECHNICAL DATA

### SUBMERSIBLE MOTOR 60 Hz - 4 POLE

### 8" WF 316SS

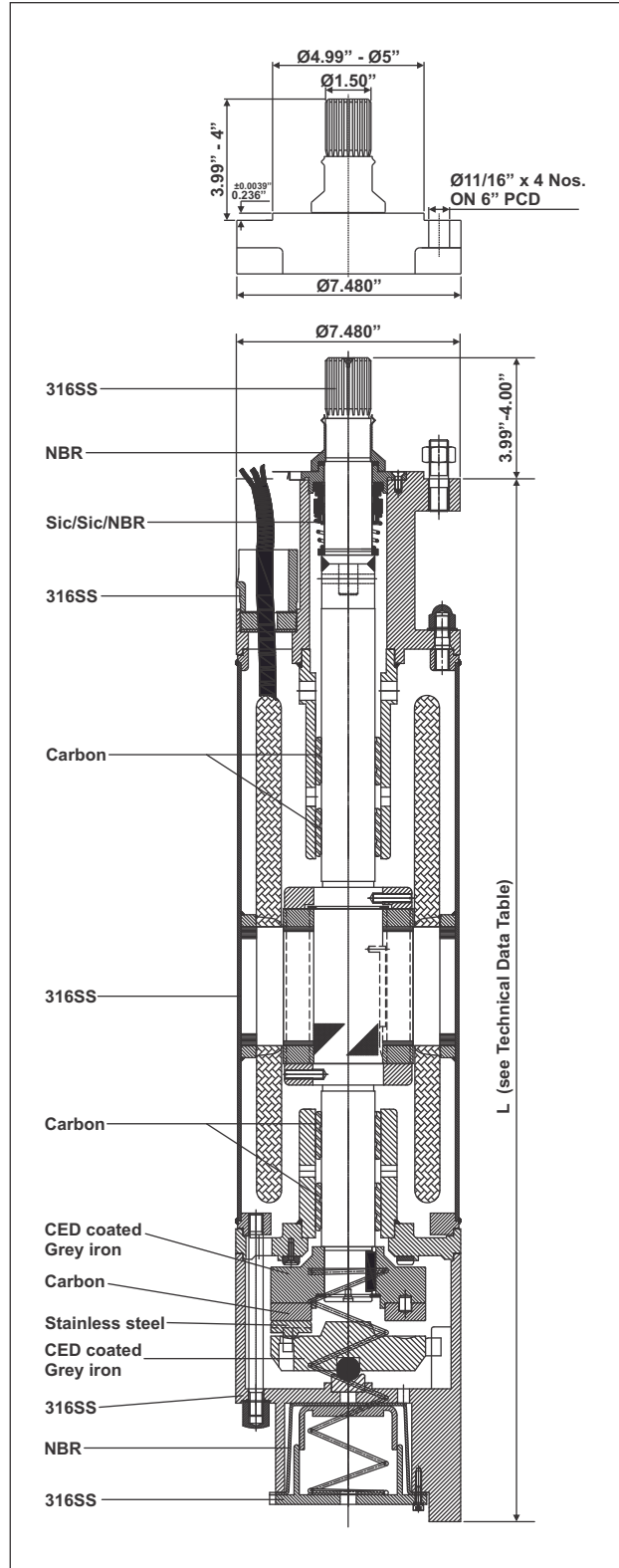
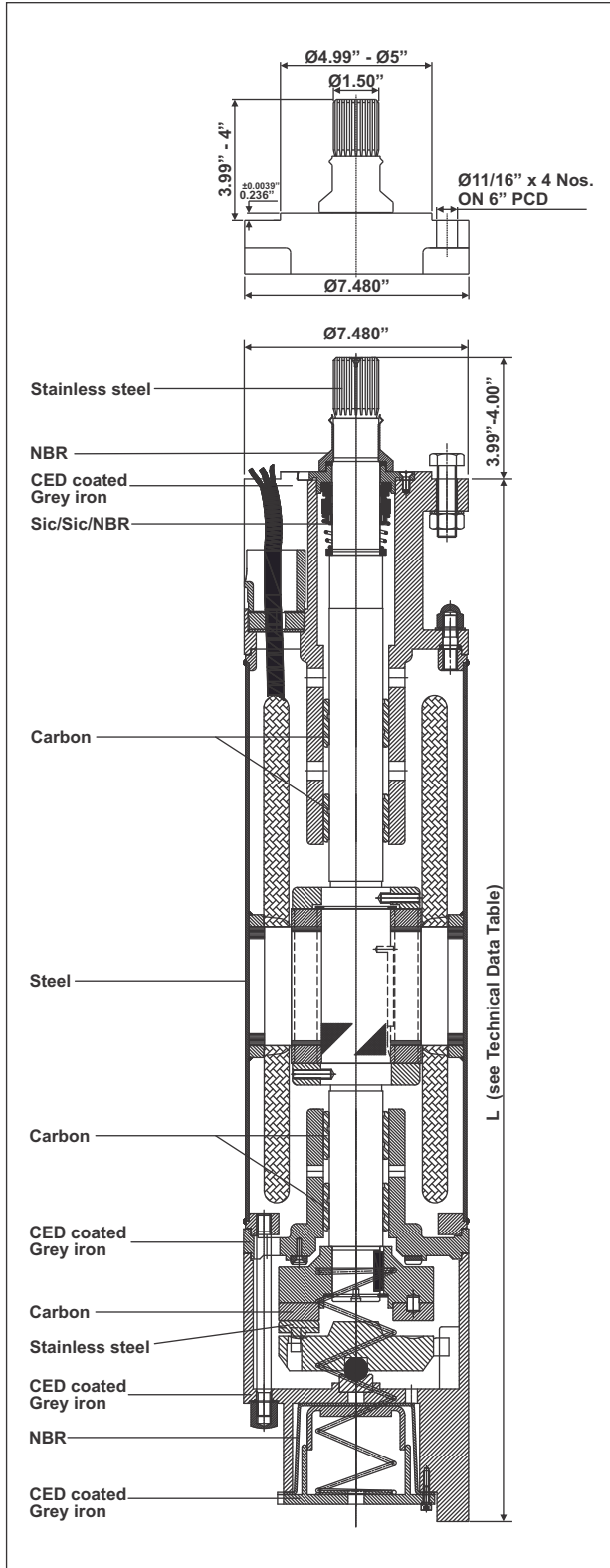
Type	P <sub>n</sub> [hp]	S.F	U <sub>N</sub> [V]	Thrust Load [N]	I <sub>N</sub> [A]	n <sub>N</sub> [min <sup>-1</sup> ]	Efficiency [%]	Cos φ [P.F]	T <sub>N</sub> [Nm]	I <sub>ST</sub> /I <sub>N</sub> [A]	Length [L] [inch]	Shipping Weight [lbs]
							F.L	F.L				
NM-8-0100-4604-316	10	1.15	460	45000	15.0	1730	80.46	0.782	41.0	4.50	36.5	331
NM-8-0150-4604-316	15	1.15	460	45000	22.1	1730	81.30	0.785	60.4	4.52	36.5	346
NM-8-0200-4604-316	20	1.15	460	45000	28.9	1730	83.09	0.790	82.2	4.54	40.4	366
NM-8-0250-4604-316	25	1.15	460	45000	35.7	1710	83.31	0.793	101.3	4.55	42.4	384
NM-8-0300-4604-316	30	1.15	460	45000	42.8	1710	83.22	0.797	120.8	4.56	43.3	395
NM-8-0400-4604-316	40	1.15	460	45000	60.0	1710	83.57	0.800	164.7	4.58	46.3	421
NM-8-0500-4604-316	50	1.15	460	45000	73.0	1710	82.78	0.820	204.8	4.59	50.2	456
NM-8-0600-4604-316	60	1.15	460	45000	85.0	1710	84.20	0.825	248.7	4.61	52.6	478
NM-8-0750-4604-316	75	1.15	460	45000	103.0	1720	84.38	0.830	303.9	4.62	56.1	509

### CABLE DATA

	8" WF STANDARD/8" WF 316SS
HP	10 - 75
ph	3
Type of start	DOL
Cable x Leads x Size [AWG]	1 x 4 x 6
Length [ft]	16.4
D [inch]	0.55 x 1.48
	

## 8" WF STANDARD

## 8" WF 316SS



## 10 INCH WATER FILLED STANDARD MOTOR

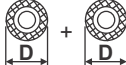
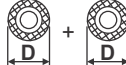
### TECHNICAL DATA

### SUBMERSIBLE MOTOR 60 Hz - 4 POLE

### 10" WF STANDARD

Type	P <sub>n</sub> [hp]	S.F	U <sub>N</sub> [V]	Thrust Load [N]	I <sub>N</sub> [A]	n <sub>N</sub> [min <sup>-1</sup> ]	Efficiency [%]	Cos φ [P.F]	T <sub>N</sub> [Nm]	I <sub>ST</sub> /I <sub>N</sub> [A]	Length [L] [inch]	Shipping Weight [lbs]
							F.L	F.L				
NM-10-0400-4604	40	1.15	460	60000	55.1	1730	85.45	0.820	165.7	4.52	50.3	608
NM-10-0500-4604	50	1.15	460	60000	66.9	1730	86.29	0.830	204.4	4.54	52.6	650
NM-10-0600-4604	60	1.15	460	60000	80.0	1730	86.15	0.830	248.5	4.55	53.4	666
NM-10-0750-4604	75	1.15	460	60000	97.9	1730	86.94	0.835	303.8	4.57	57.0	723
NM-10-1000-4604	100	1.15	460	60000	145.0	1740	85.98	0.826	411.9	4.59	61.7	796
NM-10-1250-4604	125	1.15	460	60000	175.0	1740	86.67	0.828	510.7	4.60	66.0	875
NM-10-1500-4604	150	1.15	460	60000	205.0	1720	85.00	0.825	611.1	4.70	82.5	1089

### CABLE DATA

	10" WF STANDARD/10" WF 316SS	
HP	40 - 125	150 - 175
ph	3	3
Type of start	DOL	DOL
Cable x Leads x Size [AWG]	3 x 1 x 2 + 1 x 1 x 6	3 x 1 x 00 + 1 x 1 x 1
Length [ft]	16.4	16.4
D [inch]	0.55	0.55
		

## 10 INCH WATER FILLED 316 STAINLESS STEEL MOTOR

### TECHNICAL DATA

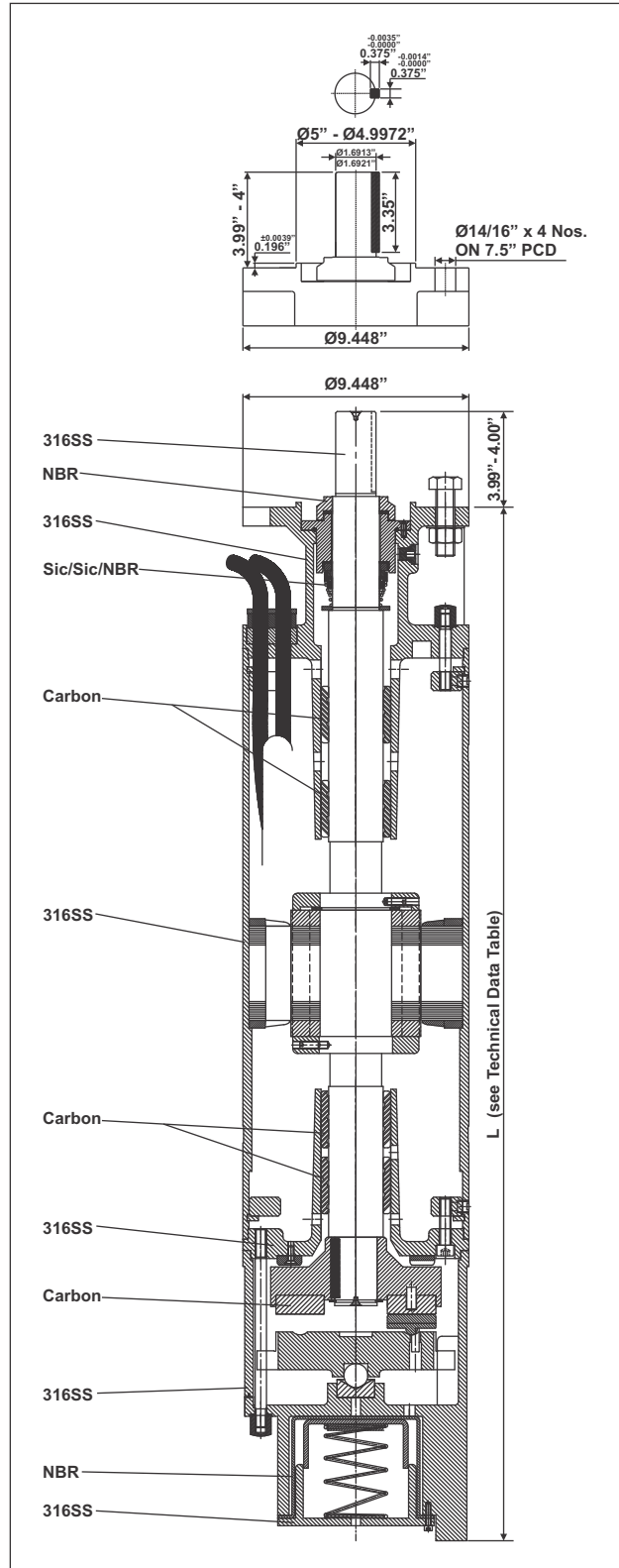
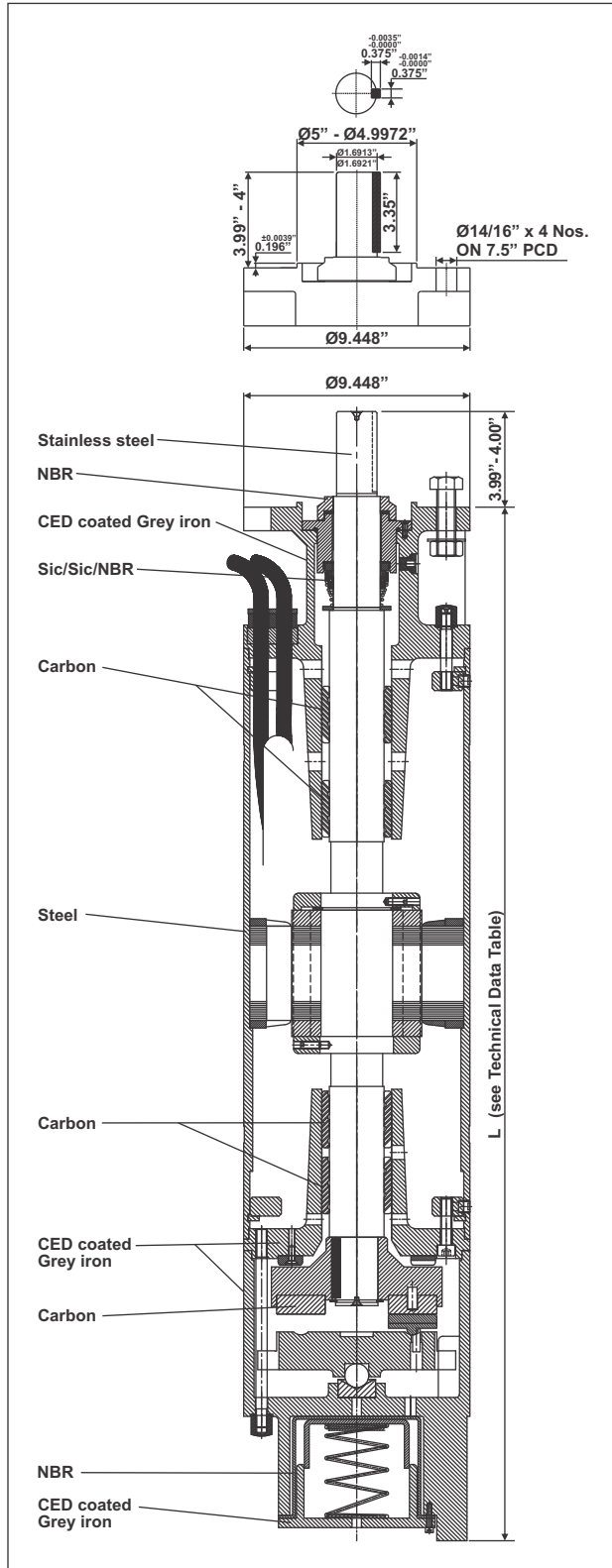
### SUBMERSIBLE MOTOR 60 Hz - 4 POLE

### 10" WF 316SS

Type	P <sub>n</sub> [hp]	S.F	U <sub>N</sub> [V]	Thrust Load [N]	I <sub>N</sub> [A]	n <sub>N</sub> [min <sup>-1</sup> ]	Efficiency [%]	Cos φ [P.F]	T <sub>N</sub> [Nm]	I <sub>ST</sub> /I <sub>N</sub> [A]	Length [L] [inch]	Shipping Weight [lbs]
							F.L	F.L				
NM-10-0400-4604	40	1.15	460	60000	55.1	1730	85.45	0.820	165.7	4.52	50.3	626
NM-10-0500-4604	50	1.15	460	60000	66.9	1730	86.29	0.830	204.4	4.54	52.6	668
NM-10-0600-4604	60	1.15	460	60000	80.0	1730	86.15	0.830	248.5	4.55	53.4	683
NM-10-0750-4604	75	1.15	460	60000	97.9	1730	86.94	0.835	303.8	4.57	57.0	741
NM-10-1000-4604	100	1.15	460	60000	145.0	1740	85.98	0.826	411.9	4.59	61.7	814
NM-10-1250-4604	125	1.15	460	60000	175.0	1740	86.67	0.828	510.7	4.60	66.0	893
NM-10-1500-4604	150	1.15	460	60000	205.0	1720	85.00	0.825	611.1	4.70	82.5	1107

## 10" WF STANDARD

## 10" WF 316SS



## 12 INCH WATER FILLED STANDARD MOTOR

### TECHNICAL DATA

### SUBMERSIBLE MOTOR 60 Hz - 4 POLE

### 12" WF STANDARD

Type	P <sub>n</sub> [hp]	S.F	U <sub>N</sub> [V]	Thrust Load [N]	I <sub>N</sub> [A]	n <sub>N</sub> [min <sup>-1</sup> ]	Efficiency [%]	Cos φ [P.F]	T <sub>N</sub> [Nm]	I <sub>ST</sub> /I <sub>N</sub> [A]	Length [L] [inch]	Shipping Weight [lbs]
							F.L	F.L				
NM-12-1000-4604	100	1.15	460	70000	132.5	1720	85.00	0.830	407.1	4.50	51.4	785
NM-12-1250-4604	125	1.15	460	70000	163.3	1720	85.00	0.830	504.8	4.55	54.1	908
NM-12-1500-4604	150	1.15	460	70000	194.1	1740	88.33	0.820	596.4	4.57	57.3	1047
NM-12-1750-4604	175	1.15	460	70000	232.0	1740	86.00	0.825	705.7	4.58	63.2	1228
NM-12-2000-4604	200	1.15	460	70000	262.0	1740	87.99	0.830	814.3	4.60	67.1	1393



## 12 INCH WATER FILLED STANDARD MOTOR

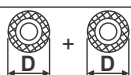

### TECHNICAL DATA

### SUBMERSIBLE MOTOR 60 Hz - 4 POLE

### 12" WF STANDARD

Type	P <sub>n</sub> [hp]	S.F	U <sub>N</sub> [V]	Thrust Load [N]	I <sub>N</sub> [A]	n <sub>N</sub> [min <sup>-1</sup> ]	Efficiency [%]	Cos φ [P.F]	T <sub>N</sub> [Nm]	I <sub>st</sub> /I <sub>N</sub> [A]	Length [L] [inch]	Shipping Weight [lbs]
							F.L	F.L				
NM-12-1000-4604-316	100	1.15	460	70000	132.5	1720	85.00	0.830	407.1	4.50	51.4	800
NM-12-1250-4604-316	125	1.15	460	70000	163.3	1720	85.00	0.830	504.8	4.55	54.1	923
NM-12-1500-4604-316	150	1.15	460	70000	194.1	1740	88.33	0.820	596.4	4.57	57.3	1062
NM-12-1750-4604-316	175	1.15	460	70000	232.0	1740	86.00	0.825	705.7	4.58	63.2	1243
NM-12-2000-4604-316	200	1.15	460	70000	262.0	1740	87.99	0.830	814.3	4.60	67.1	1408

### CABLE DATA

	12" WF STANDARD/10" WF 316SS	
HP	100 - 125	150 - 300
ph	3	3
Type of start	DOL	DOL
Cable x Leads x Size [AWG]	3 x 1 x 2 + 1 x 1 x 6	3 x 1 x 00 + 1 x 1 x 1
Length [ft]	16.4	16.4
D [inch]	0.55	0.55
		







**Northam Inc.**

995/C Griffin Pond Road, Clarks Summit, PA 18411, USA  
Phone : +1-570-659-7200, Email : [sales@northam-inc.com](mailto:sales@northam-inc.com)

*Product Improvement and changes are a continuous process at 'Northam'. The data given in this publication is therefore subject to revision.*