

NV SERIES



VERTICAL MULTI-STAGE PUMPS



50Hz

PRODUCT CATALOGUE

www.northam-inc.com

This page is intentionally left blank.

VERTICAL MULTI-STAGE PUMPS

CONTENTS

General Data	4
Material of Construction	9
Performance Range	15
Model Code	16
Performance Curve - NV - 005	17
Performance Curve - NV - 010	19
Performance Curve - NV - 012	21
Performance Curve - NV - 012	23
Performance Curve - NV - 027	25
Performance Curve - NV - 030	27
Performance Curve - NV - 055	29
Performance Curve - NV - 095	31
Performance Curve - NV - 110	33
Performance Curve - NV - 140	35
Performance Curve - NV - 220	37
Performance Curve - NV - 340	39
Performance Curve - NV - 460	41
Performance Curve - NV - 600	43
Performance Curve - NV - 750	45
Dimensions - NV - 005	47
Dimensions - NV - 010	49
Dimensions - NV - 012	51
Dimensions - NV - 016	53
Dimensions - NV - 027	55
Dimensions - NV - 030	57
Dimensions - NV - 055	59
Dimensions - NV - 095	61
Dimensions - NV - 110	63
Dimensions - NV - 140	65
Dimensions - NV - 220	67
Dimensions - NV - 340	69
Dimensions - NV - 460	71
Dimensions - NV - 600	73
Dimensions - NV - 750	75

VERTICAL MULTI-STAGE PUMPS

1/3 HP to 100 HP

GENERAL DATA

NV-A, NV-B, NV-C

FEATURES AND BENEFITS

- ▶ The NV range of pumps are inline, non self priming, vertical multistage pumps coupled with NEMA Standard TEFC 50Hz single phase & three phase motors.
- ▶ The vertical inline design enables the pump to be installed where suction and discharge connection are in the same horizontal and vertical plane. The suction and discharge connection have the same pipe sizes.
- ▶ The compact design with a very small foot print saves considerable floor space and inline connections makes the installation easy.
- ▶ The pump construction consists of a base and pump head. The multistage casing and impeller assembly is secured between the base and pump head by tiebolts.
- ▶ The diffuser casings and impellers which constitute the multistage pump assembly are fabricated from AISI304 or AISI316 as per requirement.
- ▶ The pumps are available in various material versions suitable for pumped liquids.
 - All wetted components of stainless steel 304.
 - All wetted components of stainless steel 316.
 - Base & Pump head of Cast Iron & rest of all wetted components of stainless steel 304.
- ▶ The NV range of pumps are also available with Variable Frequency drives mounted on the motor for significant energy saving.

APPLICATIONS

A - Commercial Building Services

- ▶ Pressure booster pumping system for high rise buildings.
- ▶ Jockey pump for fire sprinkler systems.
- ▶ HVAC Systems.

B - Water Supply

- ▶ Filtration and Transfer pumps for water treatment plants.
- ▶ Garden and Golf course Sprinkler and Drip Irrigation.

C - Industry

- ▶ High Pressure pump for Reverse Osmosis & Ultra filtration in water purification plants.
- ▶ Boiler feed pump.
- ▶ Vehicle & Industrial parts washing Systems.
- ▶ Coolant pump for Machine Tools.
- ▶ Pressure Boosting Systems.

VERTICAL MULTI-STAGE PUMPS

1/3 HP to 100 HP

GENERAL DATA

NV-A, NV-B, NV-C

OPERATING RANGE & CONDITIONS

	NV-C-005	NV-C-010	NV-C-012	NV-C-016	NV-C-027
Nominal flow rate (m ³ /h)	0.8	1	2	3	4
Temperature range [°C]	-20 to +120	-20 to +120	-20 to +120	-20 to +120	-20 to +120
Max. working pressure [bar]	21	22	25	24	22
Max. pump efficiency [%]	35	48	48	58	60
Version NV-A	SS 304	SS 304	SS 304	SS 304	SS 304
Version NV-B	SS 316	SS 316	SS 316	SS 316	SS 316
Version NV-C	Cast Iron	Cast Iron	Cast Iron	Cast Iron	Cast Iron
Flange Connection NV-A	DN 25	DN 25	DN 25	DN 25	DN 25
Flange Connection NV-B	DN 25	DN 25	DN 25	DN 25	DN 25
Flange Connection NV-C	DN 25	DN 25	DN 25	DN 25	DN 25

	NV-C-030	NV-C-055	NV-C-095	NV-C-110	NV-C-120
Nominal flow rate (m ³ /h)	5	10	15	20	32
Temperature range [°C]	-20 to +120	-20 to +120	-20 to +120	-20 to +120	-30 to +120
Max. working pressure [bar]	24	22	28	25	28
Max. pump efficiency [%]	66	70	72	72	78
Version NV-A	SS 304	SS 304	SS 304	SS 304	SS 304
Version NV-B	SS 316	SS 316	SS 316	SS 316	SS 316
Version NV-C	Cast Iron	Cast Iron	Cast Iron	Cast Iron	Cast Iron
Flange Connection NV-A	DN 25	DN 40	DN 50	DN 50	DN 65
Flange Connection NV-B	DN 25	DN 40	DN 50	DN 50	DN 65
Flange Connection NV-C	DN 25	DN 40	DN 50	DN 50	DN 65

	NV-C-220	NV-C-340	NV-C-450	NV-C-600	NV-C-750
Nominal flow rate (m ³ /h)	220	340	440	610	750
Temperature range [°C]	-30 to +120	-30 to +120	-30 to +120	-30 to +120	-30 to +120
Max. working pressure [bar]	40	39	39	41	39
Max. pump efficiency [%]	79	80	81	75	72
Version NV-A	SS 304	SS 304	SS 304	-	-
Version NV-B	SS 316	SS 316	SS 316	SS 316	SS 316
Version NV-C	Cast Iron	Cast Iron	Cast Iron	Cast Iron	Cast Iron
Flange Connection NV-A	DN 80	DN 100	DN 100	-	-
Flange Connection NV-B	DN 80	DN 100	DN 100	DN 125	DN 125
Flange Connection NV-C	DN 80	DN 100	DN 100	DN 125	DN 125

VERTICAL MULTI-STAGE PUMPS

1/3 HP to 100 HP

GENERAL DATA

NV-A, NV-B, NV-C

SHAFT SEAL

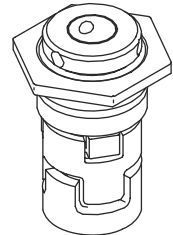
As standard, the NV range is fitted with a Cartridge shaft seal suitable for most applications.

The following key parameters must be taken into account, when selecting the shaft seal:

- Type of pumped liquid
- Liquid temperature and
- Maximum pressure.

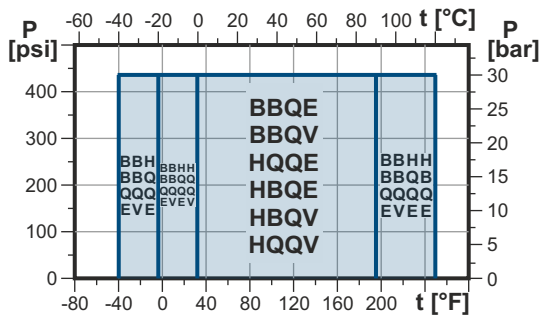
Northam offers a wide range of shaft seal variants to meet specific demands.

Cartridge Seal



OPERATING RANGE OF THE SHAFT SEAL

The operating range of the shaft seal depends on operating pressure, pump type, type of shaft seal and liquid temperature. The following curves apply to clean water and water with anti-freeze liquids.



Shaft seal	Description	Max. Temperature range [°C]
BBQE	Bellow type shaft seal, Carbon/Sic/SS 316/EPDM	-40°C to +120°C
BBQV	Bellow type shaft seal, Carbon/Sic/SS 316/FKM	-40°C to +120°C
HQQE	Cartridge type shaft seal, Sic/Sic/SS 316/EPDM	-40°C to +120°C
HBQE	Cartridge type shaft seal, Carbon/Sic/SS 316/EPDM	0°C to +120°C
HBQV	Cartridge type shaft seal, Carbon/Sic/SS 316/FKM	0°C to +90°C
HQQV	Cartridge type shaft seal, Sic/Sic/SS 316/FKM	-20°C to +90°C

VERTICAL MULTI-STAGE PUMPS

1/3 HP to 100 HP

CERTIFICATION

NV-A, NV-B, NV-C

IAPMO RESEARCH AND TESTING, INC.

5001 E. Philadelphia Street, Ontario, CA 91761-2816 • (909) 472-4100 • Fax (909) 472-4244 • www.iapmort.org



CERTIFICATE OF LISTING

IAPMO Research and Testing, Inc. is a product certification body in which its product certification system includes inspection and testing of samples taken from the supplier's stock or from the market or a combination of both to verify compliance to the requirements of applicable codes and standards. This activity is coupled with periodic surveillance of the supplier's factory and/or warehouses as well as the assessment of the supplier's Quality Assurance System. This listing is subject to the conditions set forth in the characteristics below and is not to be construed as any recommendation, assurance or guarantee by IAPMO Research and Testing, Inc. of the product acceptance by Authorities Having Jurisdiction.

Issued to:

NORTHAM INC

2915 OGELTOWN ROAD, #4109
NEWARK, DE 19713

Product:

Drinking Water System Components - Health Effects

Products are certified to the following standard(s):

NSF/ANSI/CAN 61-2022

File Number: WP-13811

Effective Date: March 2023


Chairman, Product Certification Committee



Void After Date: February 2028*


Chief Technical Service Officer

* This certificate is not evidence of current listing. To verify listing status, visit the IAPMO R&T Product Listing Directory at pld.iapmo.org

This listing period is based upon the last date of the month indicated on the Effective Date and Void After Date shown above. Any change in material, manufacturing process, marking or design without having first obtained the approval of the Product Certification Committee, or any evidence of non-compliance with applicable codes and standards or of inferior workmanship, may be deemed sufficient cause for revocation of this listing. Production of or reference to this form for advertising purposes may be made only by specific written permission of IAPMO Research and Testing, Inc. Any alteration of this certificate could be grounds for revocation of the listing. This document shall be reproduced in its entirety.



Pumps certified by IAPMO R&T under NSF/ANSICAN 61 for material safety requirement only, not certified for contaminant reductions or structural integrity. Also, pumps is certified by IAMPO R&T against NSF/ANSI 372 lead free requirement

VERTICAL MULTI-STAGE PUMPS

1/3 HP to 100 HP

CERTIFICATION

NV-A, NV-B, NV-C

IAPMO RESEARCH AND TESTING, INC.

5001 E. Philadelphia Street, Ontario, CA 91761-2816 • (909) 472-4100 • Fax (909) 472-4244 • www.iapmort.org



LEAD FREE

CERTIFICATE OF LISTING

IAPMO Research and Testing, Inc. is a product certification body in which its product certification system includes inspection and testing of samples taken from the supplier's stock or from the market or a combination of both to verify compliance to the requirements of applicable codes and standards. This activity is coupled with periodic surveillance of the supplier's factory and/or warehouses as well as the assessment of the supplier's Quality Assurance System. This listing is subject to the conditions set forth in the characteristics below and is not to be construed as any recommendation, assurance or guarantee by IAPMO Research and Testing, Inc. of the product acceptance by Authorities Having Jurisdiction.

Issued to:

NORTHAM INC

2915 OGELTOWN ROAD, #4109
NEWARK, DE 19713

Product:

Lead Free Water Filtration Product

Products are certified to the following standard(s):

Section 1417(d) of the Safe Drinking Water Act The lead content requirements of Section 116875 of the California Health & Safety Code NSF/ANSI/CAN 372- 2022

File Number: WP-14328

Effective Date: March 2023

Void After Date: February 2028*


Chairman, Product Certification Committee




Chief Technical Service Officer

* This certificate is not evidence of current listing. To verify listing status, visit the IAPMO R&T Product Listing Directory at pld.iapmo.org

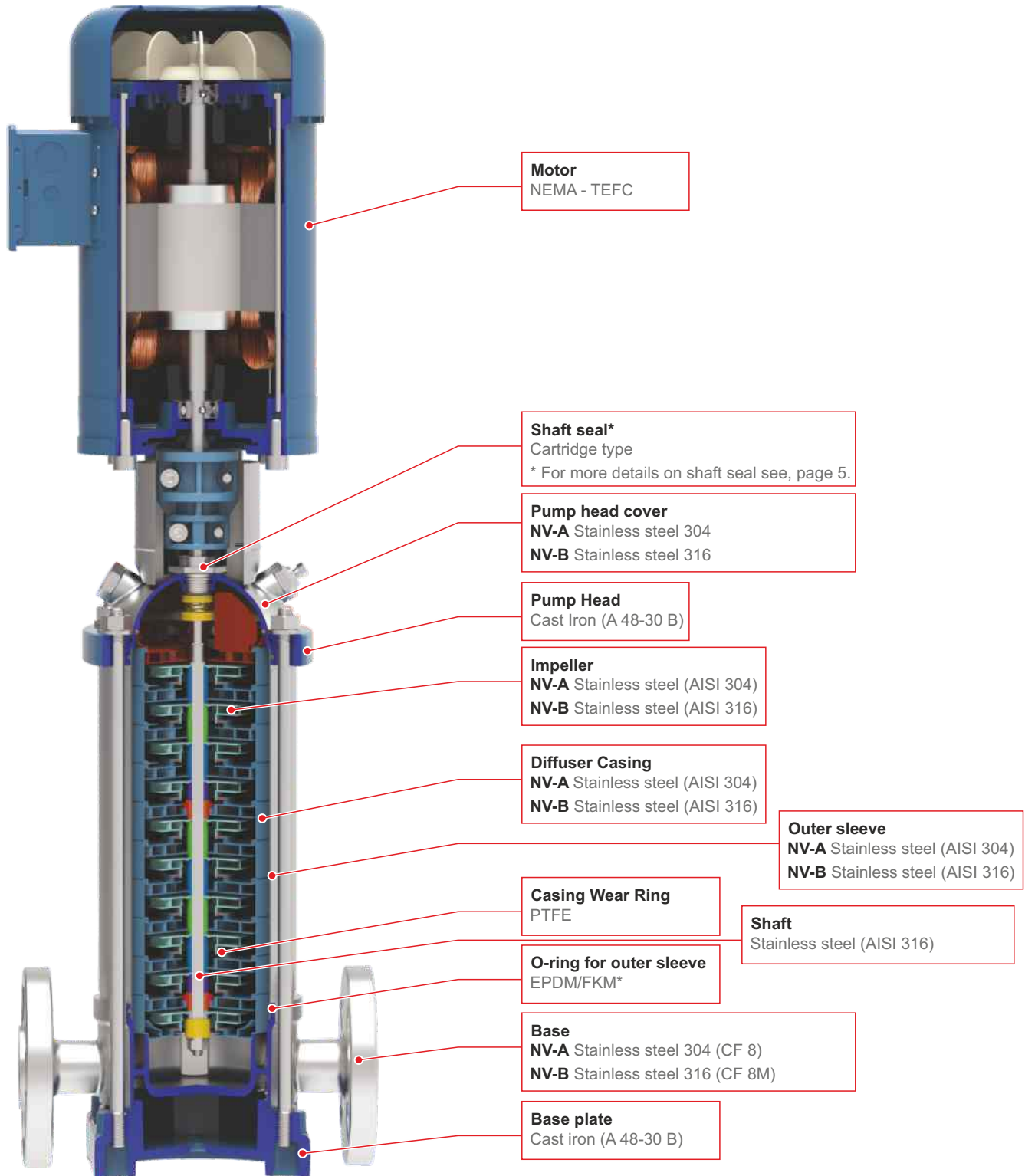
This listing period is based upon the last date of the month indicated on the Effective Date and Void After Date shown above. Any change in material, manufacturing process, marking or design without having first obtained the approval of the Product Certification Committee, or any evidence of non-compliance with applicable codes and standards or of inferior workmanship, may be deemed sufficient cause for revocation of this listing. Production of or reference to this form for advertising purposes may be made only by specific written permission of IAPMO Research and Testing, Inc. Any alteration of this certificate could be grounds for revocation of the listing. This document shall be reproduced in its entirety.

VERTICAL MULTI-STAGE PUMPS

NV-A, NV-B

MATERIAL OF CONSTRUCTION

NV 005 TO NV 110



Motor
NEMA - TEFC

Shaft seal*
Cartridge type
* For more details on shaft seal see, page 5.

Pump head cover
NV-A Stainless steel 304
NV-B Stainless steel 316

Pump Head
Cast Iron (A 48-30 B)

Impeller
NV-A Stainless steel (AISI 304)
NV-B Stainless steel (AISI 316)

Diffuser Casing
NV-A Stainless steel (AISI 304)
NV-B Stainless steel (AISI 316)

Outer sleeve
NV-A Stainless steel (AISI 304)
NV-B Stainless steel (AISI 316)

Casing Wear Ring
PTFE

Shaft
Stainless steel (AISI 316)

O-ring for outer sleeve
EPDM/FKM*

Base
NV-A Stainless steel 304 (CF 8)
NV-B Stainless steel 316 (CF 8M)

Base plate
Cast iron (A 48-30 B)

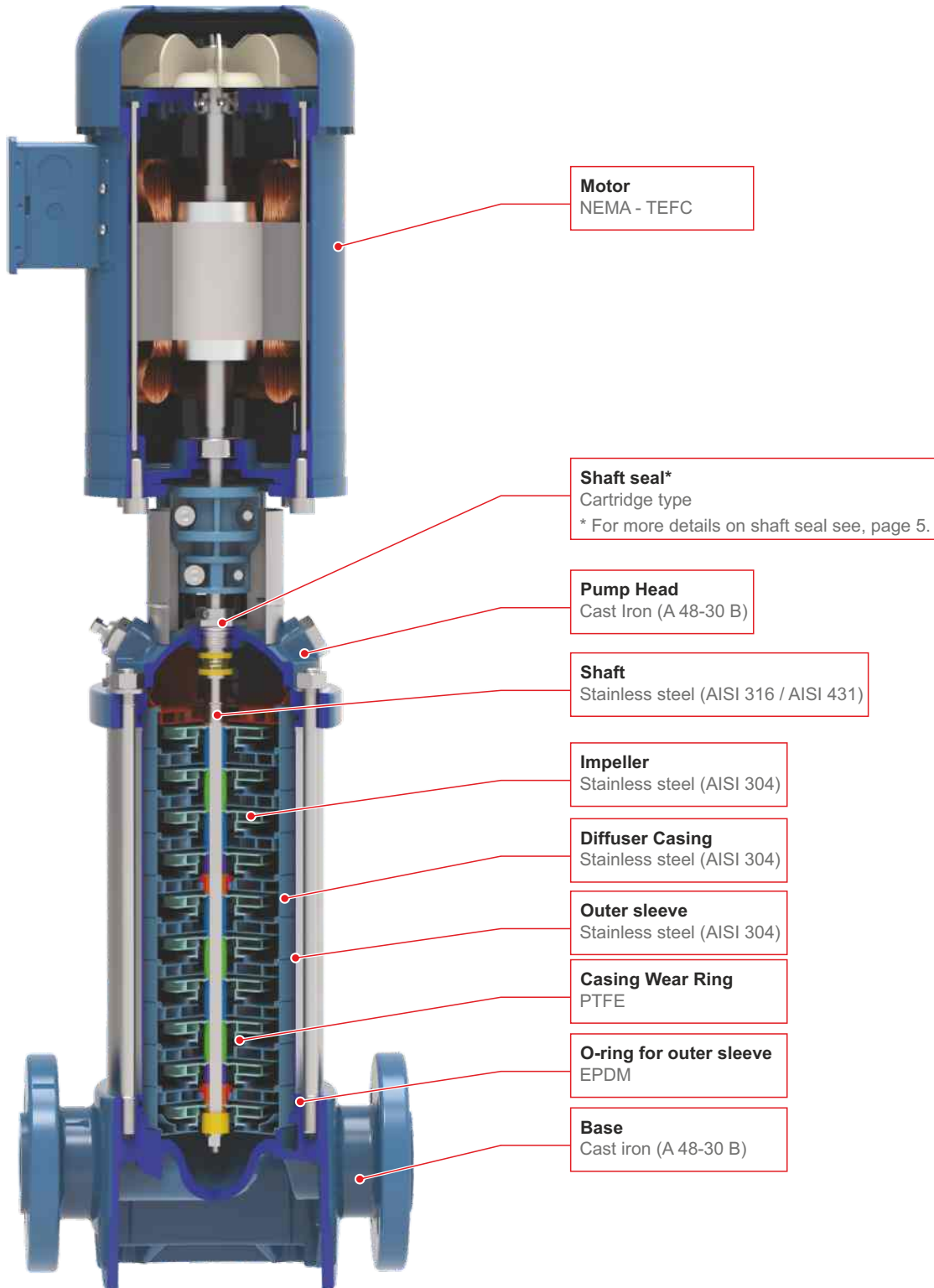
* NSF Listing not available with the O-ring option.

VERTICAL MULTI-STAGE PUMPS

NV-C

MATERIAL OF CONSTRUCTION

NV 005 TO NV 110

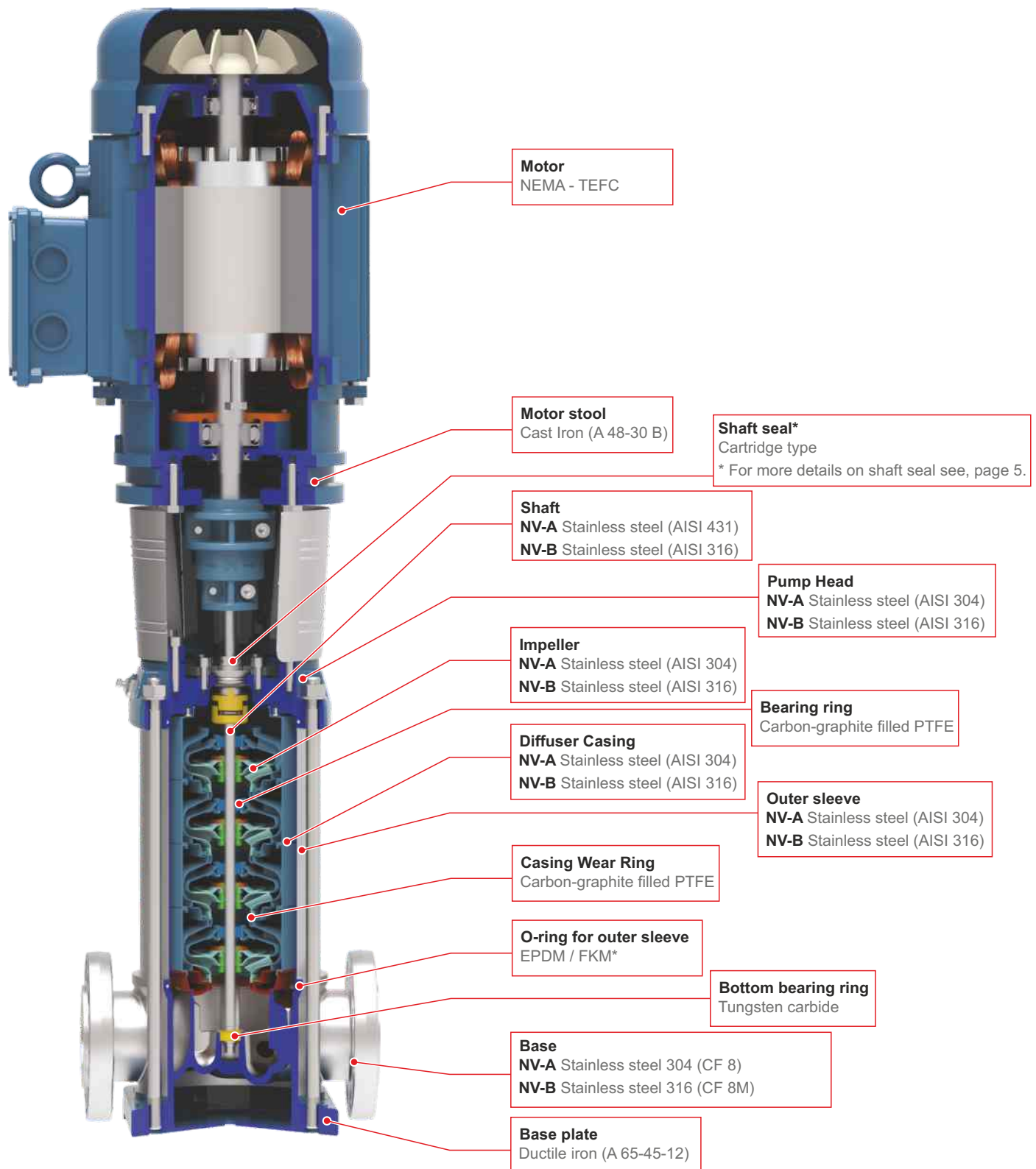


VERTICAL MULTI-STAGE PUMPS

NV-A, NV-B

MATERIAL OF CONSTRUCTION

NV 140 TO NV 450



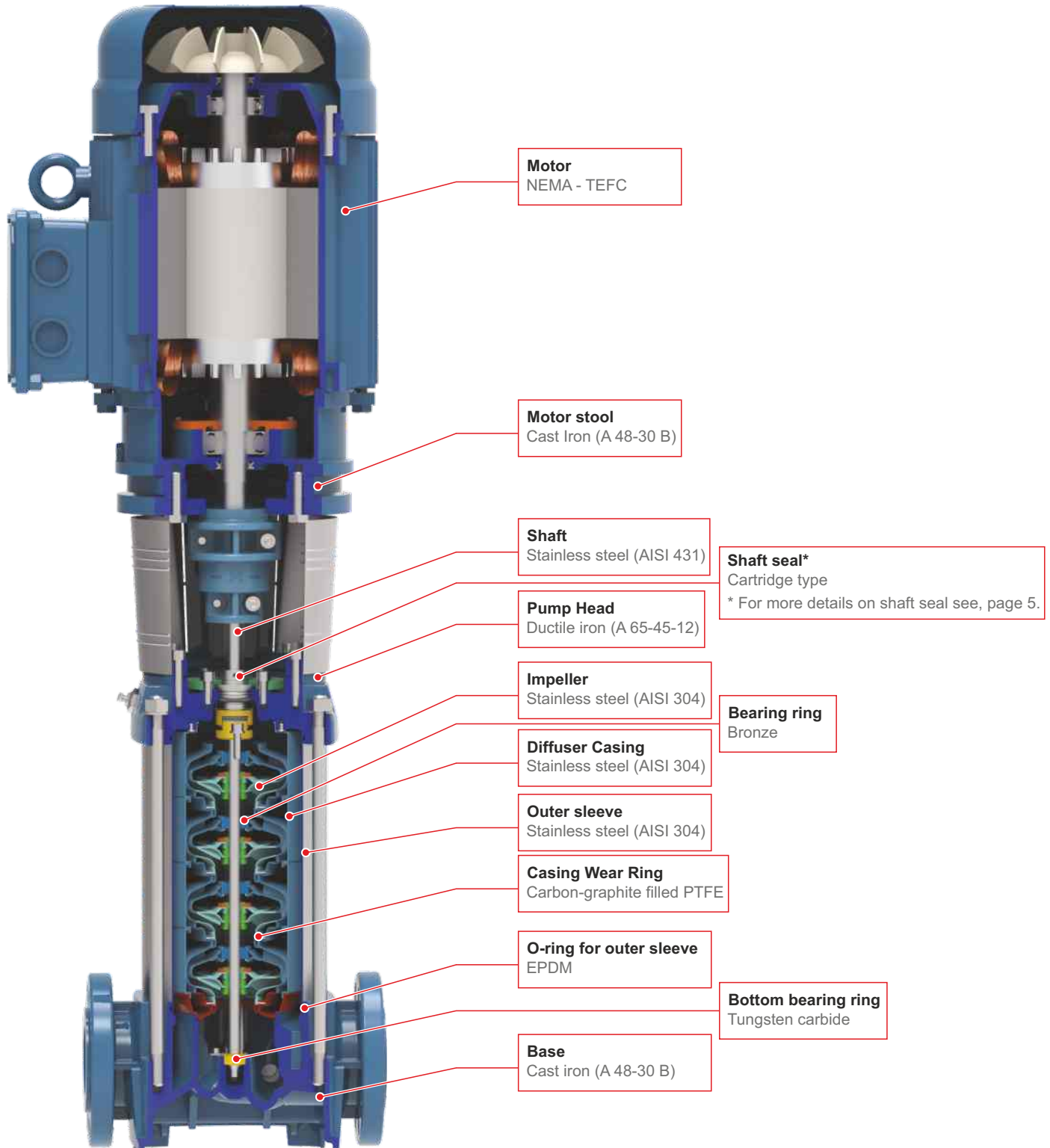
* NSF Listing not available with the O-ring option.

VERTICAL MULTI-STAGE PUMPS

NV-C

MATERIAL OF CONSTRUCTION

NV 140 TO NV 450

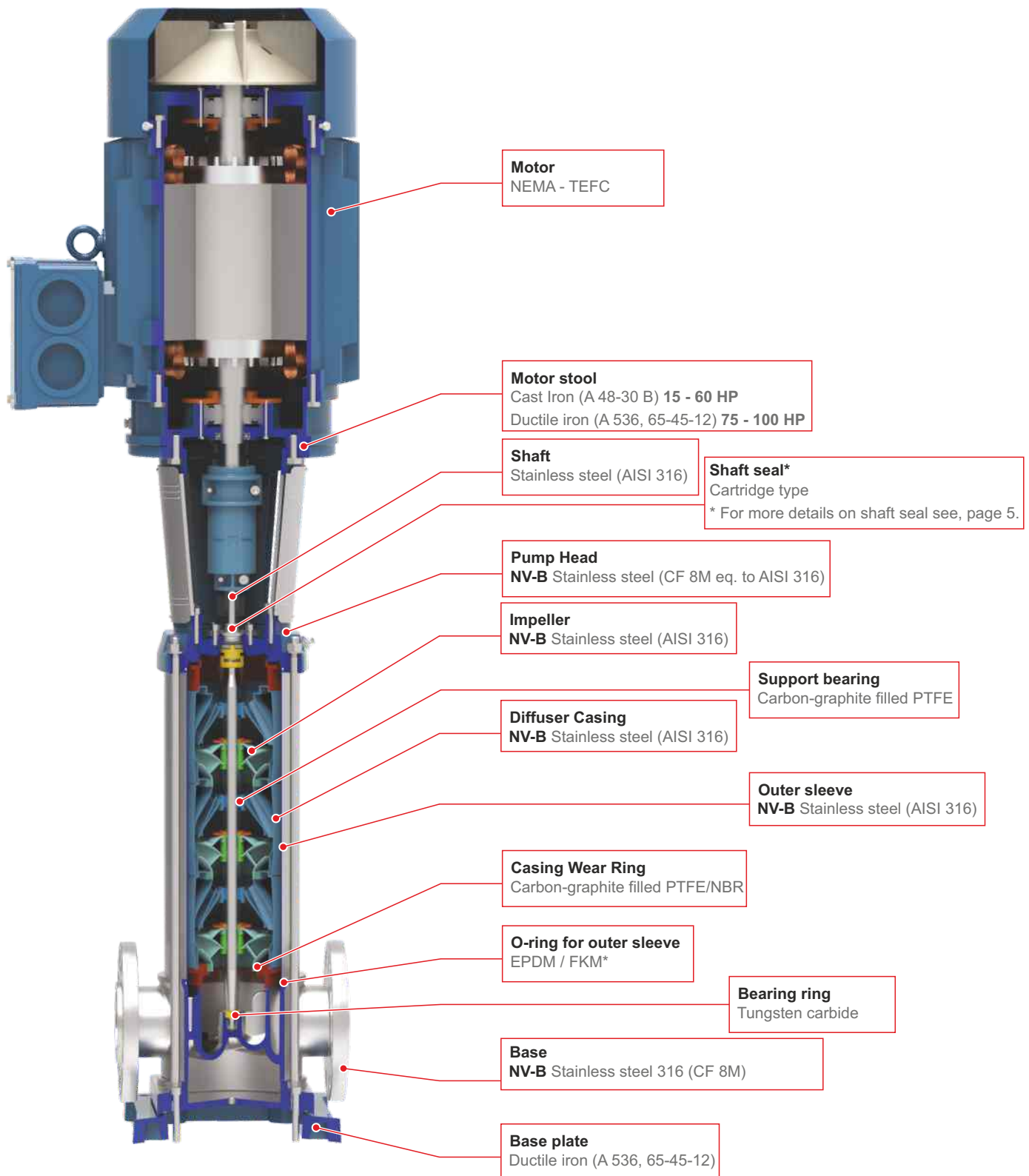


VERTICAL MULTI-STAGE PUMPS

NV-B

MATERIAL OF CONSTRUCTION

NV 600 TO NV 750



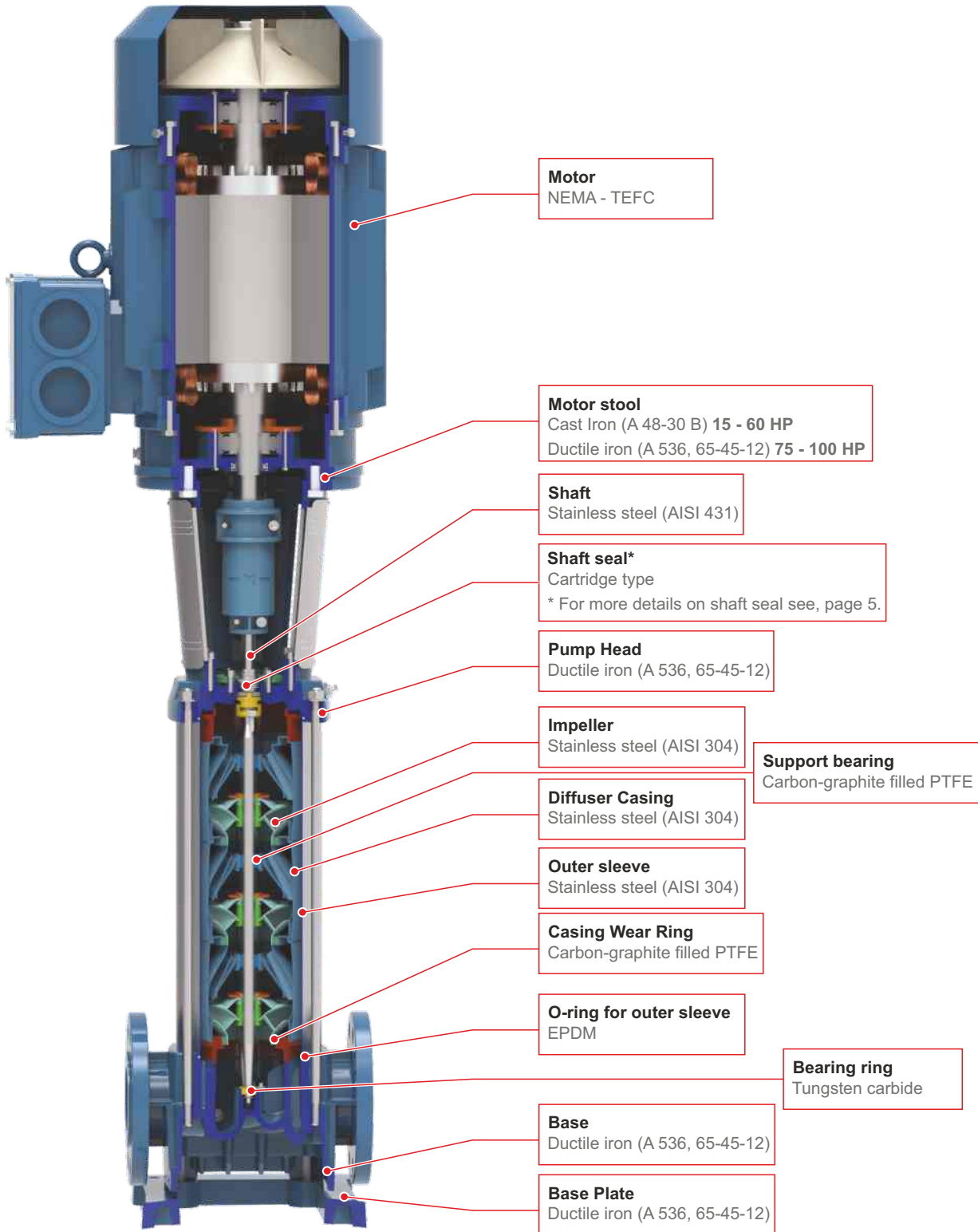
* NSF Listing not available with the O-ring option.

VERTICAL MULTI-STAGE PUMPS

NV-C

MATERIAL OF CONSTRUCTION

NV 600 TO NV 750

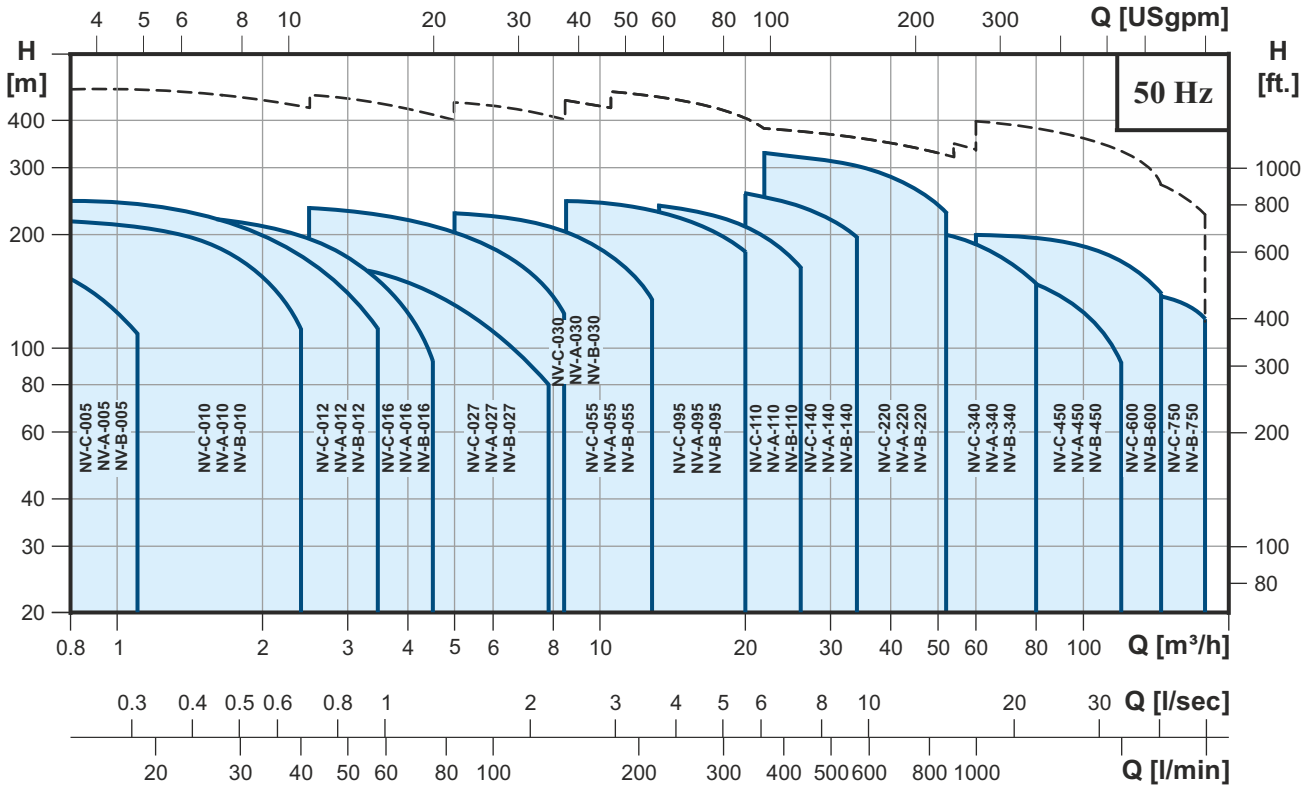


VERTICAL MULTI-STAGE PUMPS

NV-C, NV-A, NV-B

PERFORMANCE RANGE

005 to 750

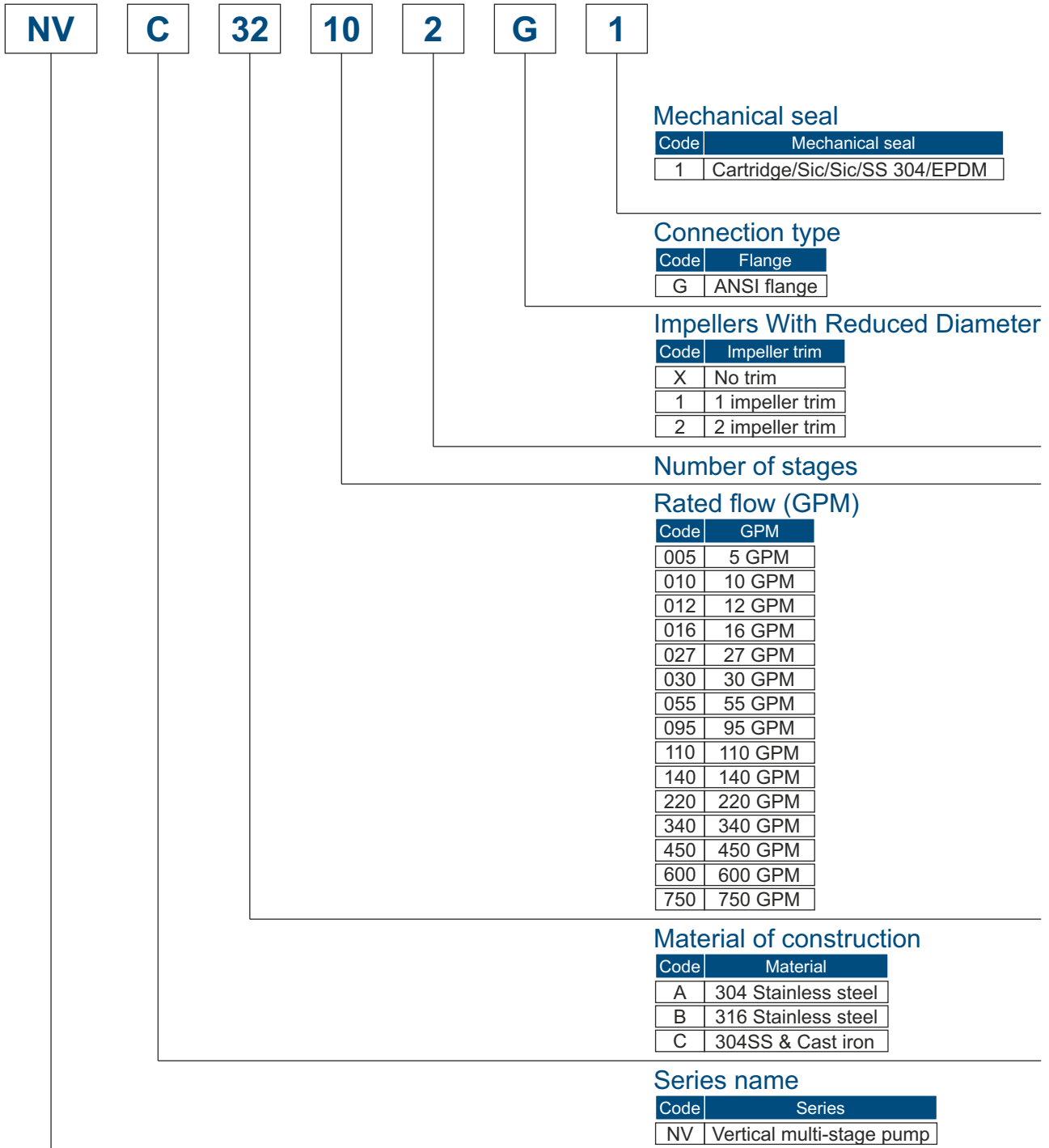


VERTICAL MULTI-STAGE PUMPS

1/3 HP to 100 HP

MODEL CODE

005 to 750



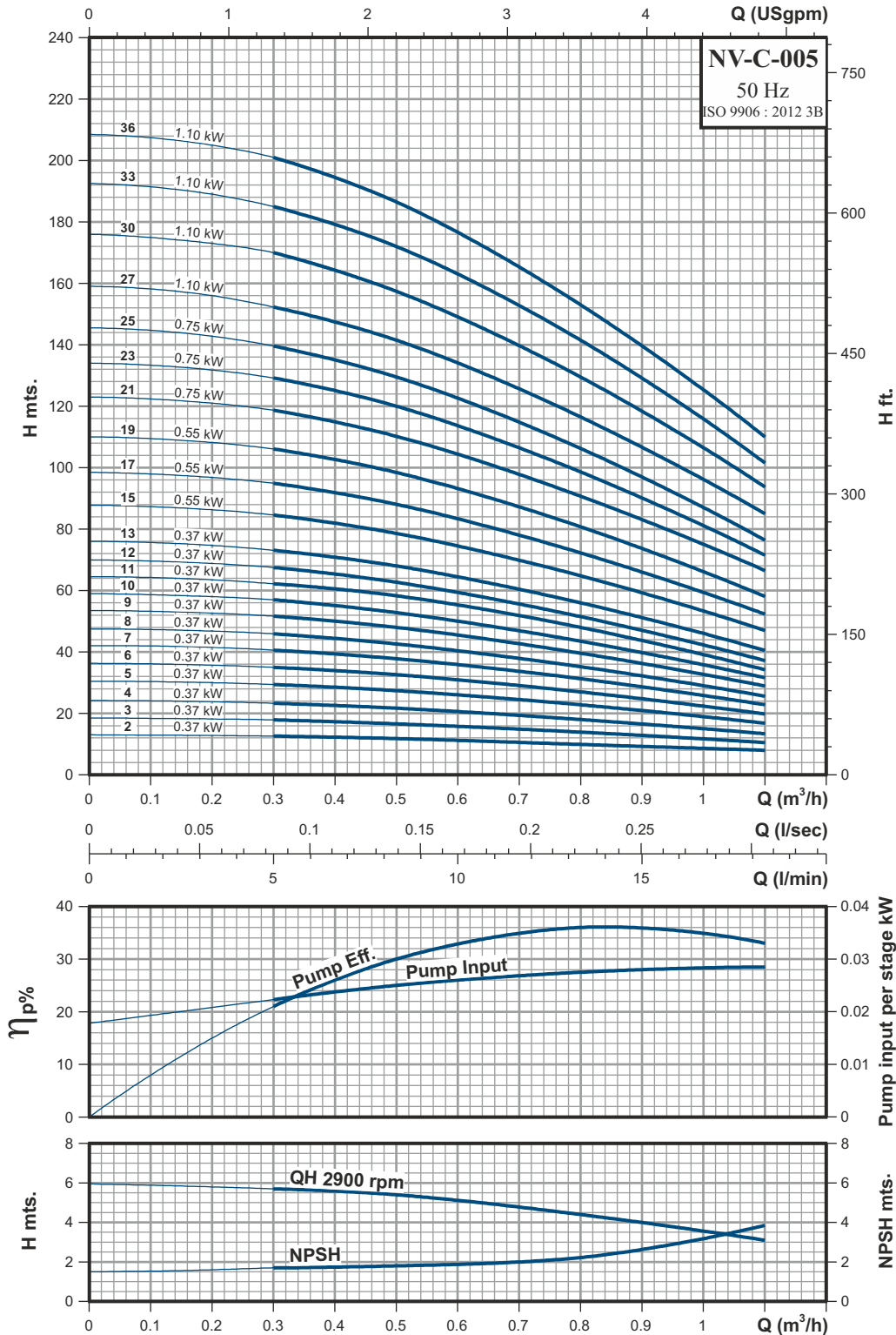
Example:

NV-C-32-10-2-G-1 = Vertical multi-stage pump, Cast iron, 140 GPM, 10 stages, 2 impeller trim, ANSI flange, Mechanical seal Cartridge/Sic/Sic/SS 304/EPDM.

VERTICAL MULTI-STAGE PUMPS

NV-C-005

PERFORMANCE CURVE

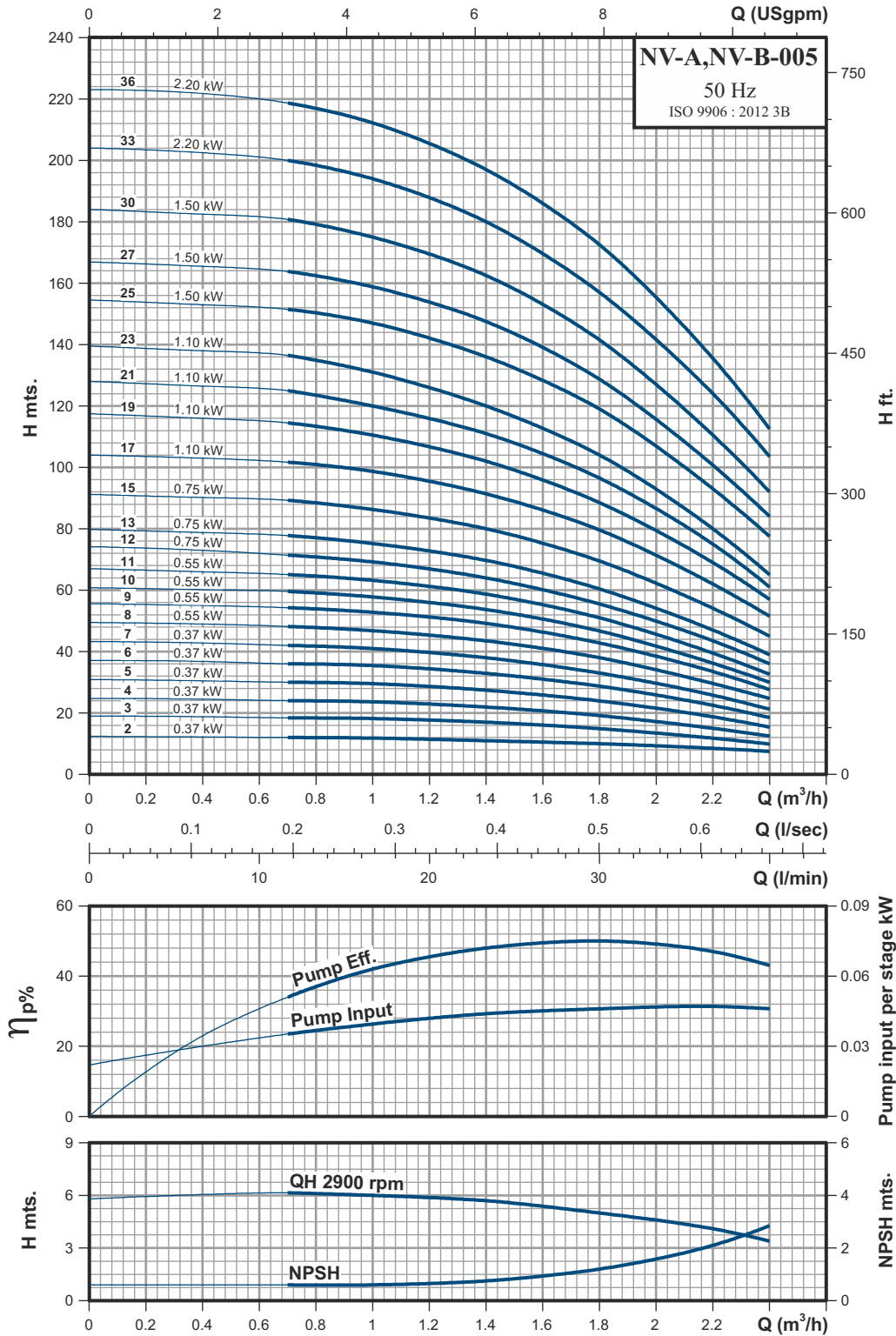


RECOMMENDED PUMP OPERATING RANGE
 PERFORMANCE BASED ON TEST ACCEPTANCE - ISO 9906:2012 3B.
 PERFORMANCES ARE SUBJECT TO PERIODIC CHANGES DUE TO CONTINUOUS IMPROVEMENTS.

VERTICAL MULTI-STAGE PUMPS

NV-A-005 / NV-B-005

PERFORMANCE CURVE

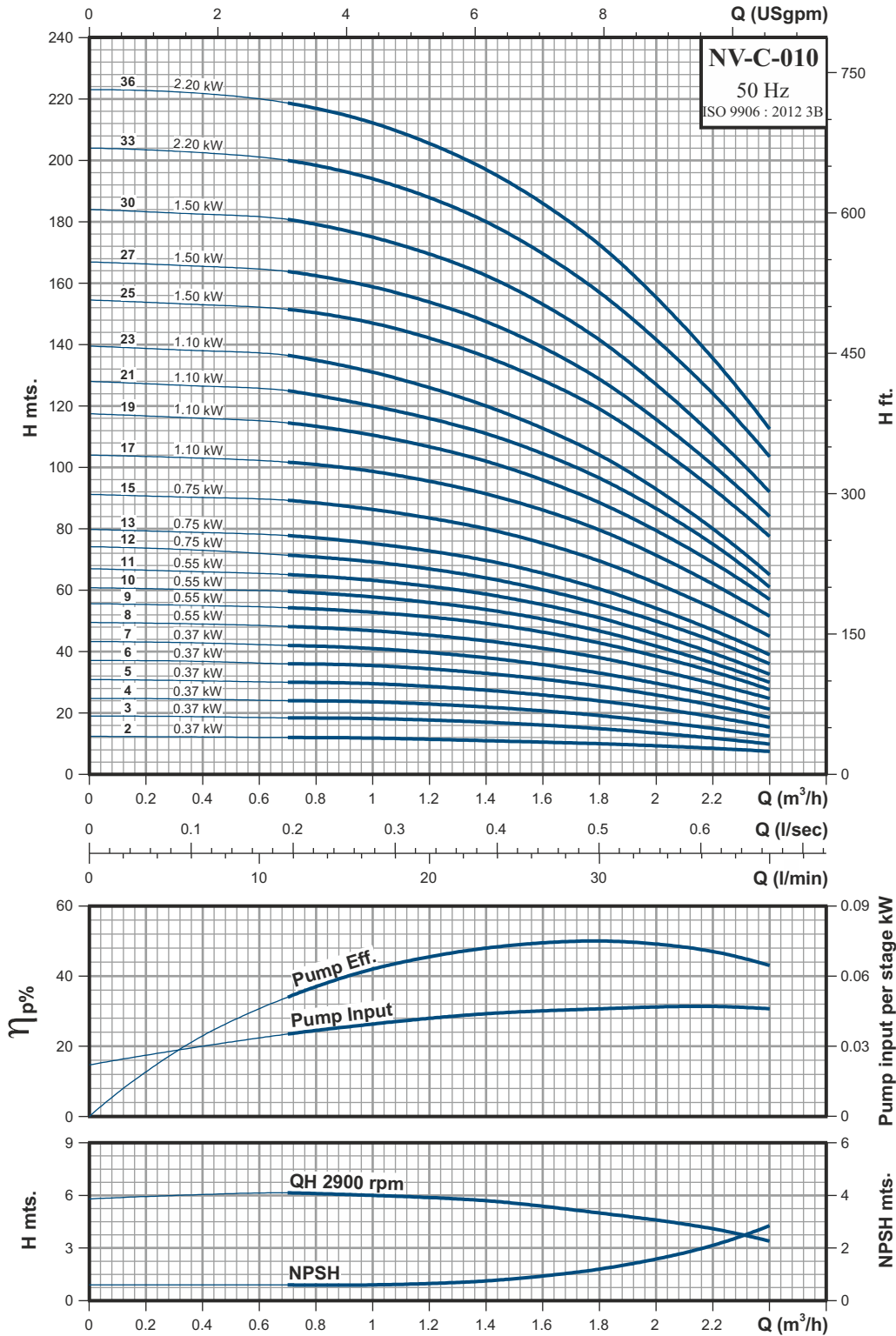


RECOMMENDED PUMP OPERATING RANGE
 PERFORMANCE BASED ON TEST ACCEPTANCE - ISO 9906:2012 3B.
 PERFORMANCES ARE SUBJECT TO PERIODIC CHANGES DUE TO CONTINUOUS IMPROVEMENTS.

VERTICAL MULTI-STAGE PUMPS

NV-C-010

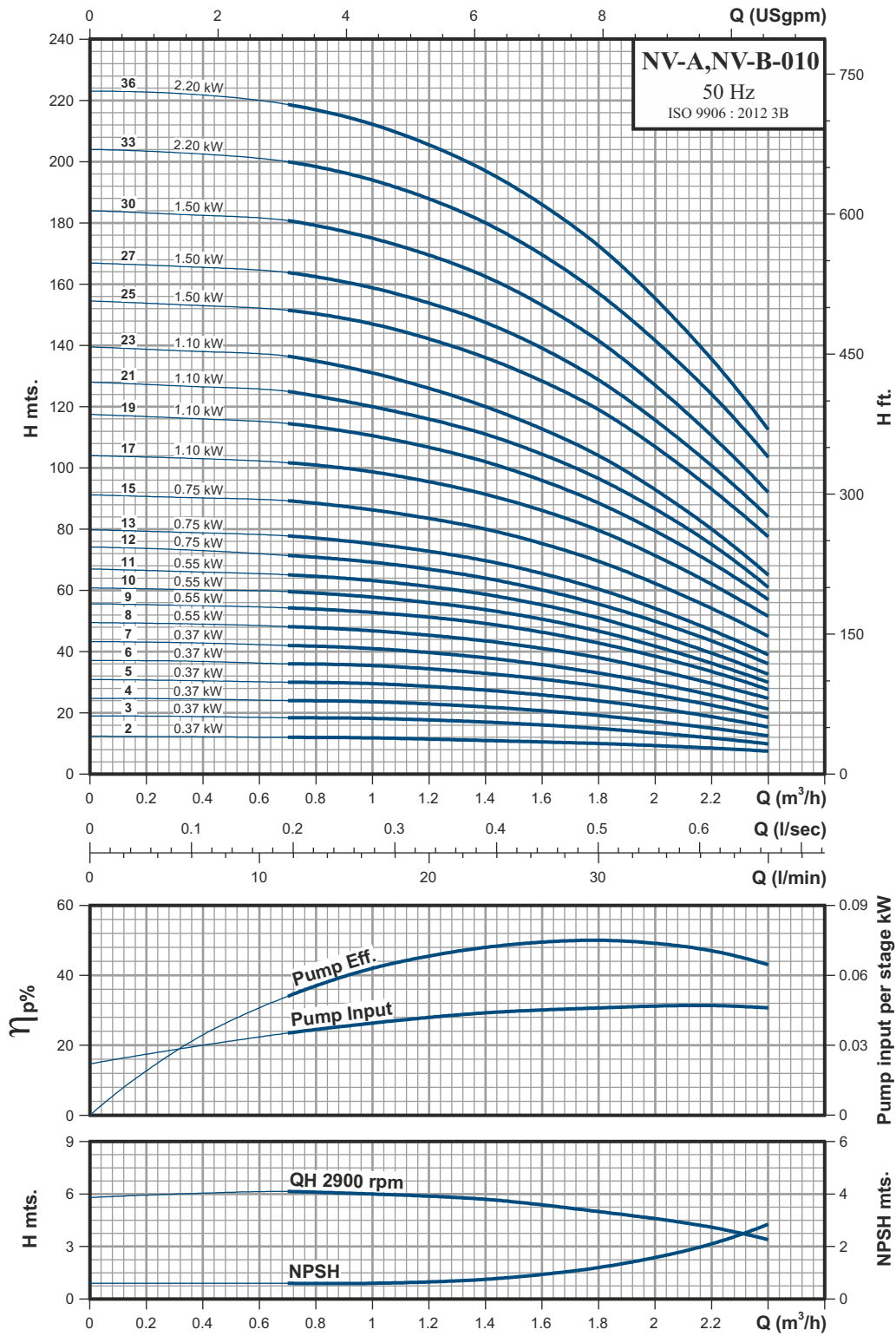
PERFORMANCE CURVE



RECOMMENDED PUMP OPERATING RANGE
 PERFORMANCE BASED ON TEST ACCEPTANCE - ISO 9906:2012 3B.
 PERFORMANCES ARE SUBJECT TO PERIODIC CHANGES DUE TO CONTINUOUS IMPROVEMENTS.

VERTICAL MULTI-STAGE PUMPS

NV-A-010 / NV-B-010 PERFORMANCE CURVE

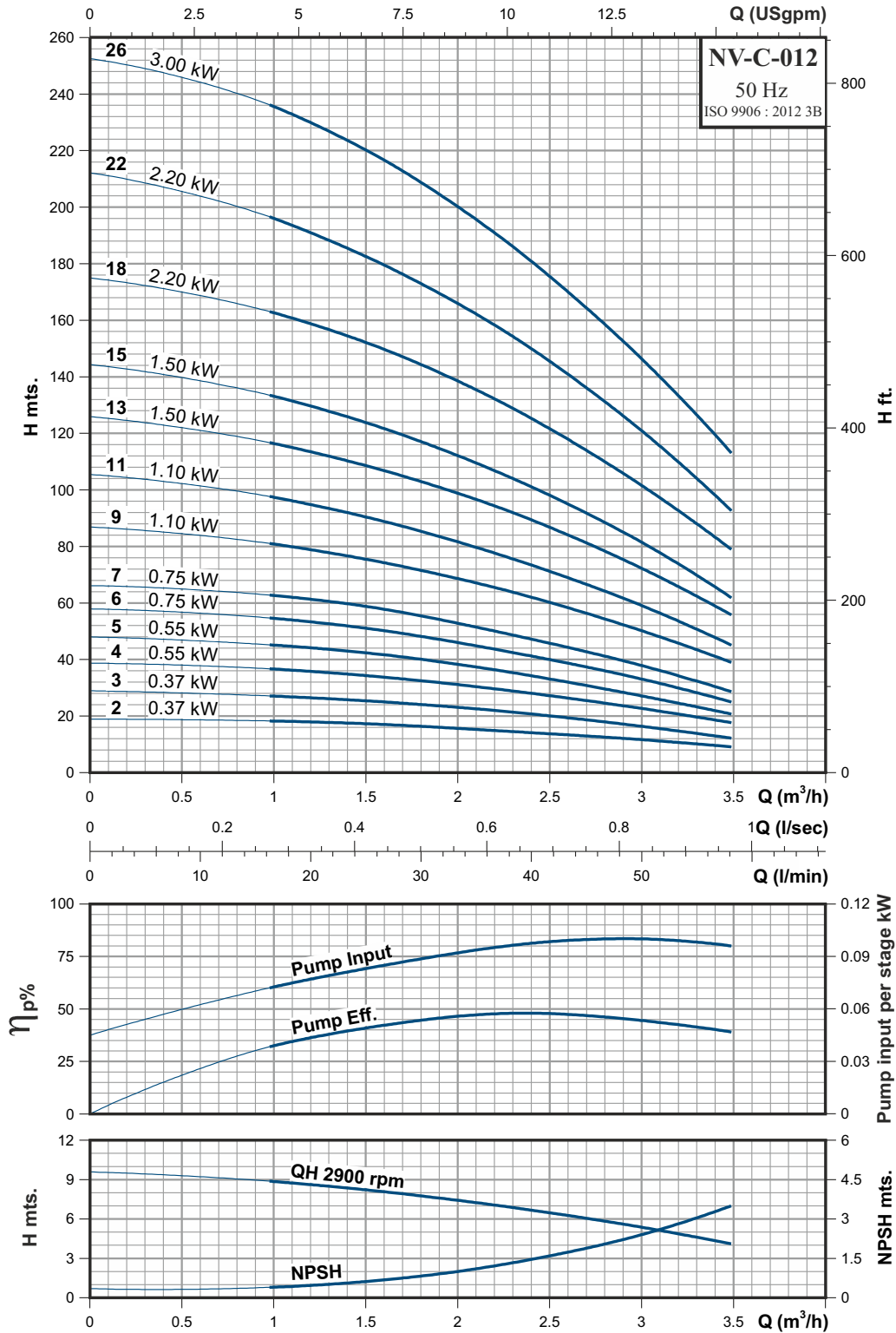


— RECOMMENDED PUMP OPERATING RANGE
 PERFORMANCE BASED ON TEST ACCEPTANCE - ISO 9906:2012 3B.
 PERFORMANCES ARE SUBJECT TO PERIODIC CHANGES DUE TO CONTINUOUS IMPROVEMENTS.

VERTICAL MULTI-STAGE PUMPS

NV-C-012

PERFORMANCE CURVE

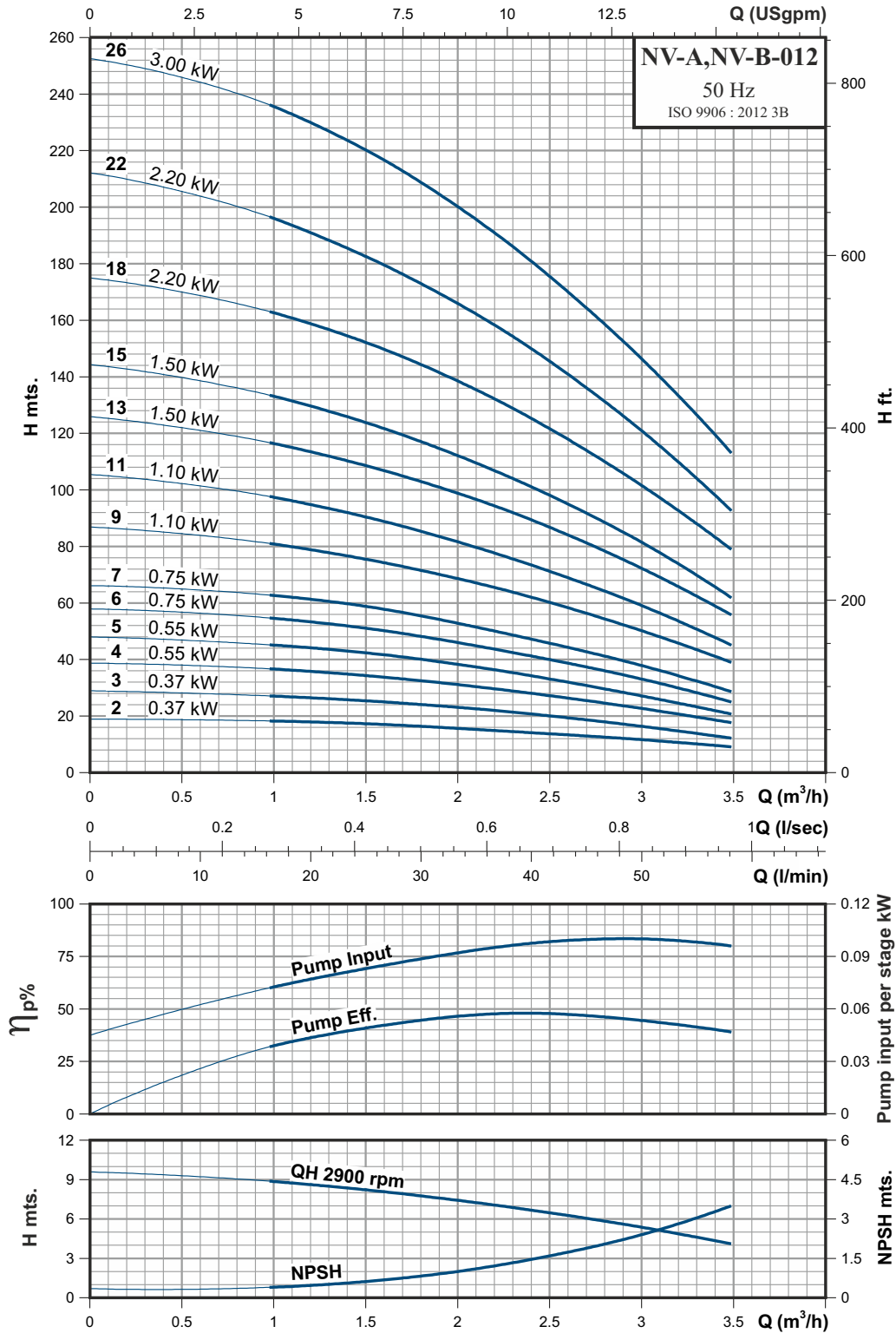


RECOMMENDED PUMP OPERATING RANGE
 PERFORMANCE BASED ON TEST ACCEPTANCE - ISO 9906:2012 3B.
 PERFORMANCES ARE SUBJECT TO PERIODIC CHANGES DUE TO CONTINUOUS IMPROVEMENTS.

VERTICAL MULTI-STAGE PUMPS

NV-A-012 / NV-B-012

PERFORMANCE CURVE

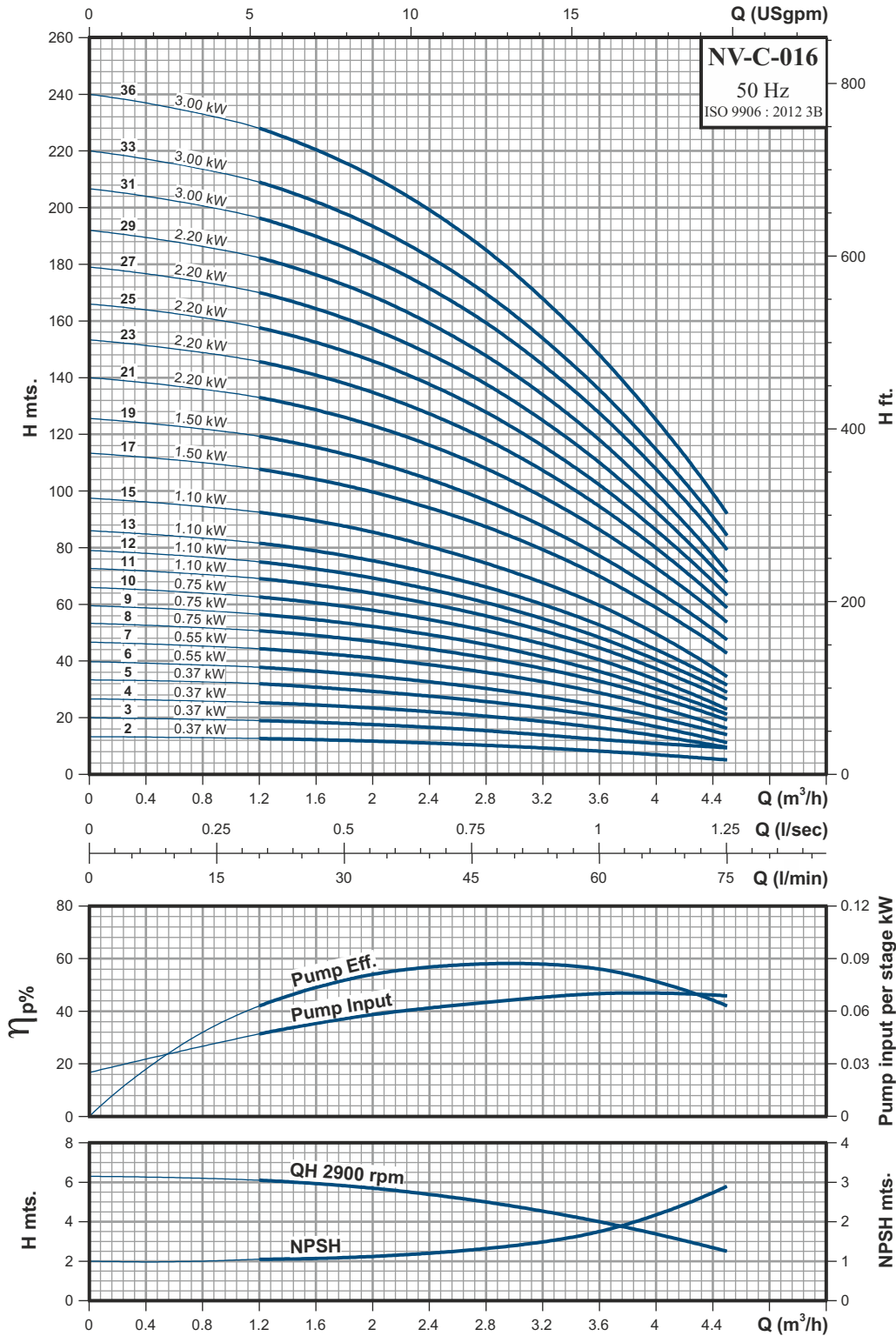


RECOMMENDED PUMP OPERATING RANGE
 PERFORMANCE BASED ON TEST ACCEPTANCE - ISO 9906:2012 3B.
 PERFORMANCES ARE SUBJECT TO PERIODIC CHANGES DUE TO CONTINUOUS IMPROVEMENTS.

VERTICAL MULTI-STAGE PUMPS

NV-C-016

PERFORMANCE CURVE

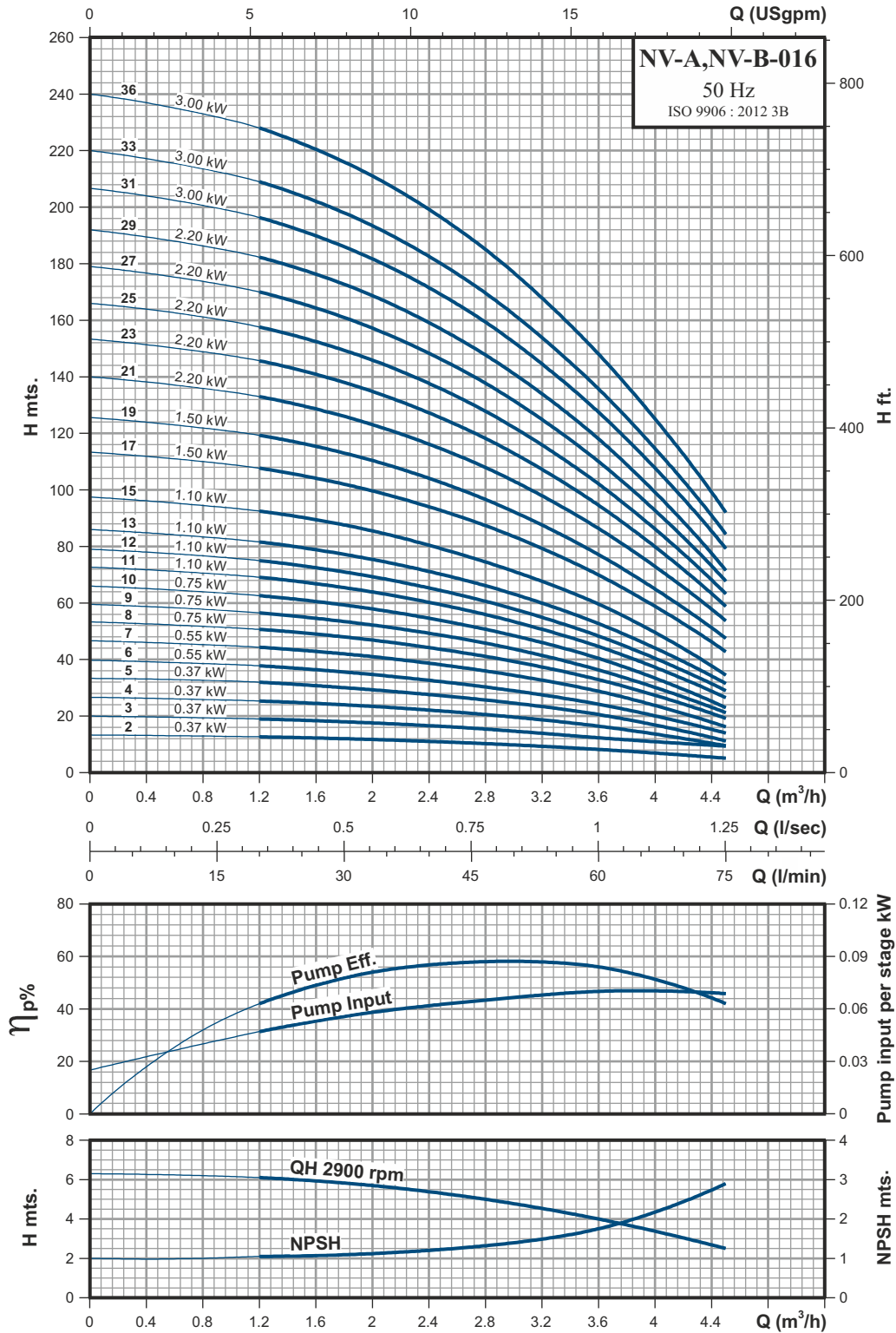


RECOMMENDED PUMP OPERATING RANGE
 PERFORMANCE BASED ON TEST ACCEPTANCE - ISO 9906:2012 3B.
 PERFORMANCES ARE SUBJECT TO PERIODIC CHANGES DUE TO CONTINUOUS IMPROVEMENTS.

VERTICAL MULTI-STAGE PUMPS

NV-A-016/ NV-B-016

PERFORMANCE CURVE

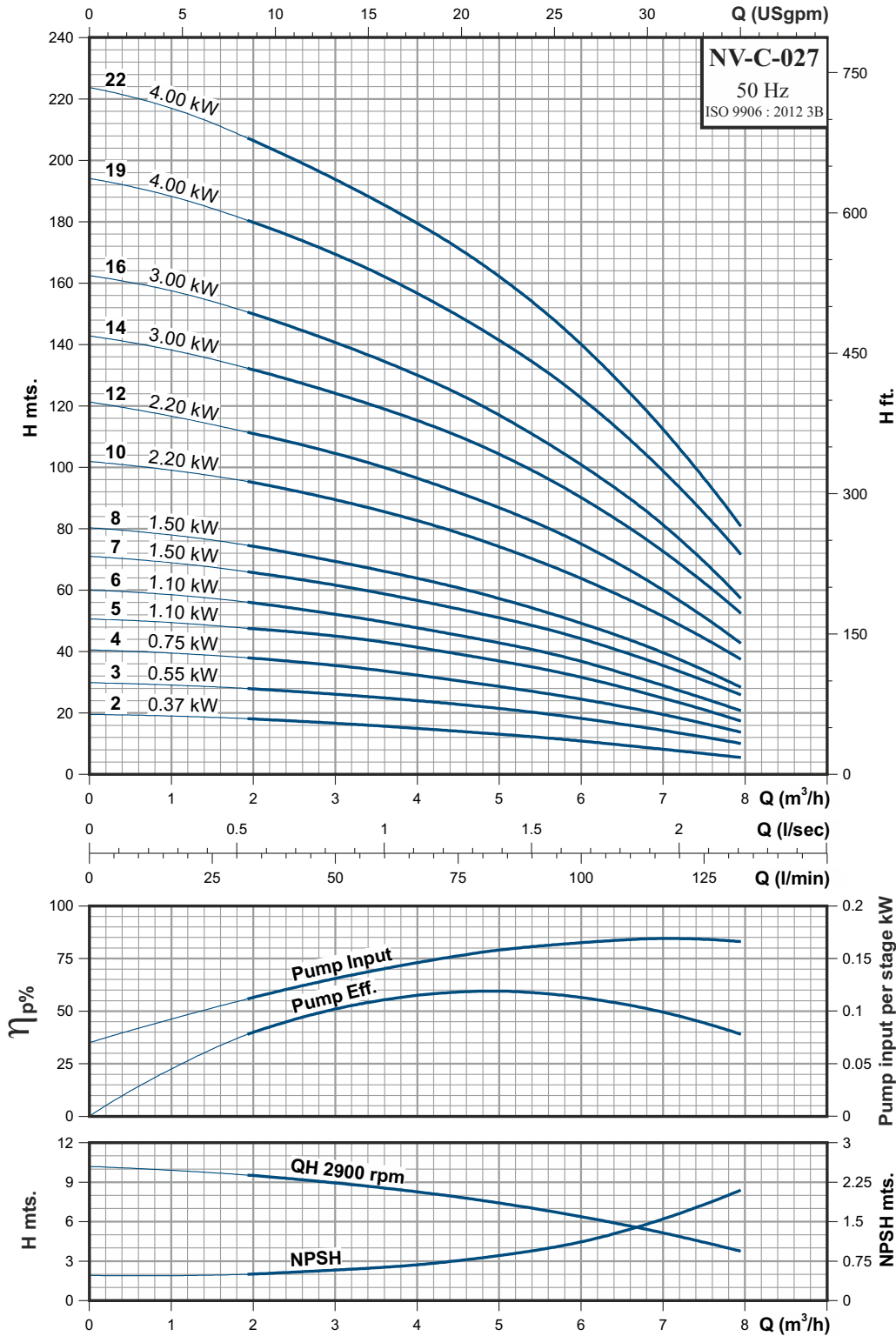


RECOMMENDED PUMP OPERATING RANGE
 PERFORMANCE BASED ON TEST ACCEPTANCE - ISO 9906:2012 3B.
 PERFORMANCES ARE SUBJECT TO PERIODIC CHANGES DUE TO CONTINUOUS IMPROVEMENTS.

VERTICAL MULTI-STAGE PUMPS

NV-C-027

PERFORMANCE CURVE

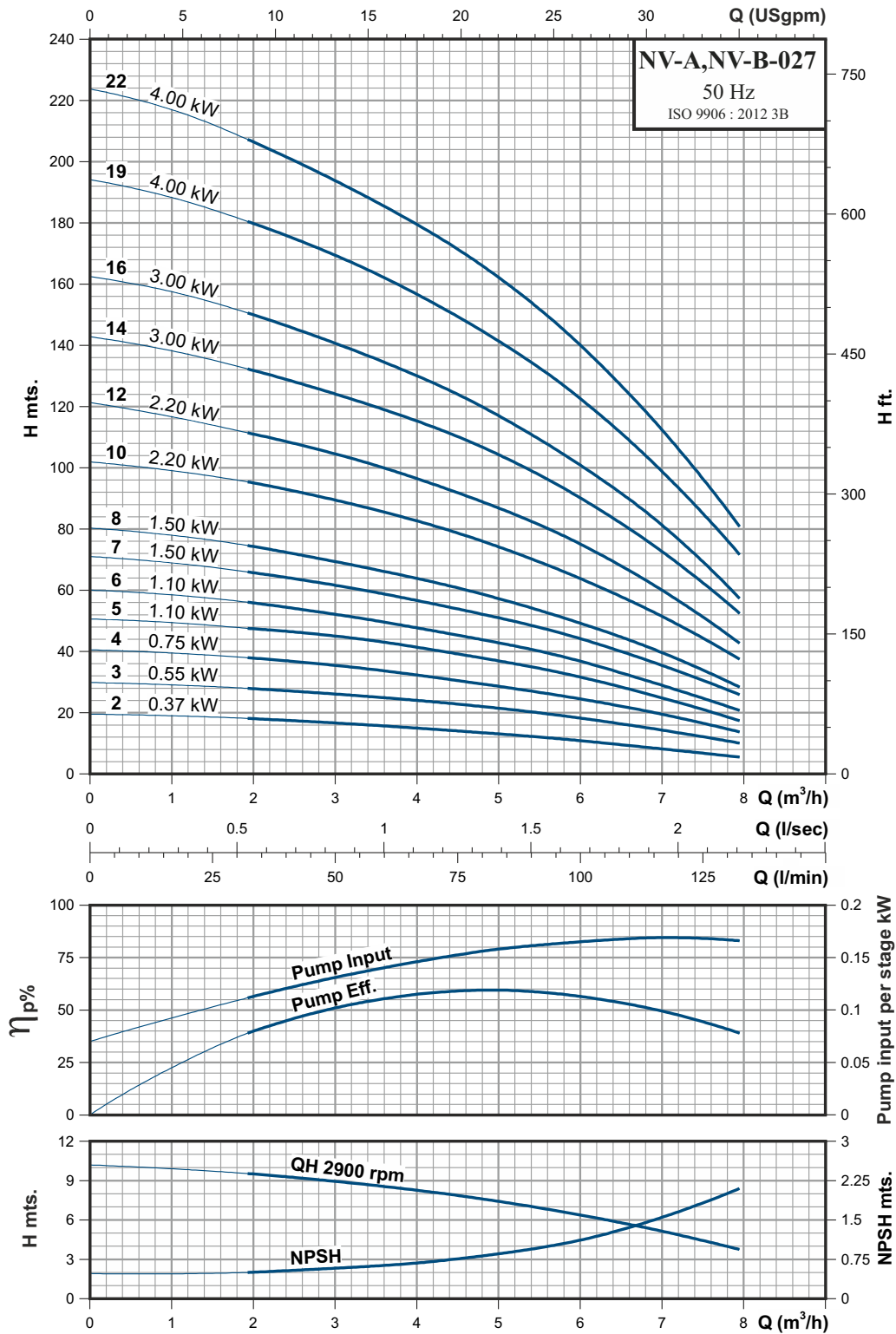


RECOMMENDED PUMP OPERATING RANGE
 PERFORMANCE BASED ON TEST ACCEPTANCE - ISO 9906:2012 3B.
 PERFORMANCES ARE SUBJECT TO PERIODIC CHANGES DUE TO CONTINUOUS IMPROVEMENTS.

VERTICAL MULTI-STAGE PUMPS

NV-A-027 / NV-B-027

PERFORMANCE CURVE

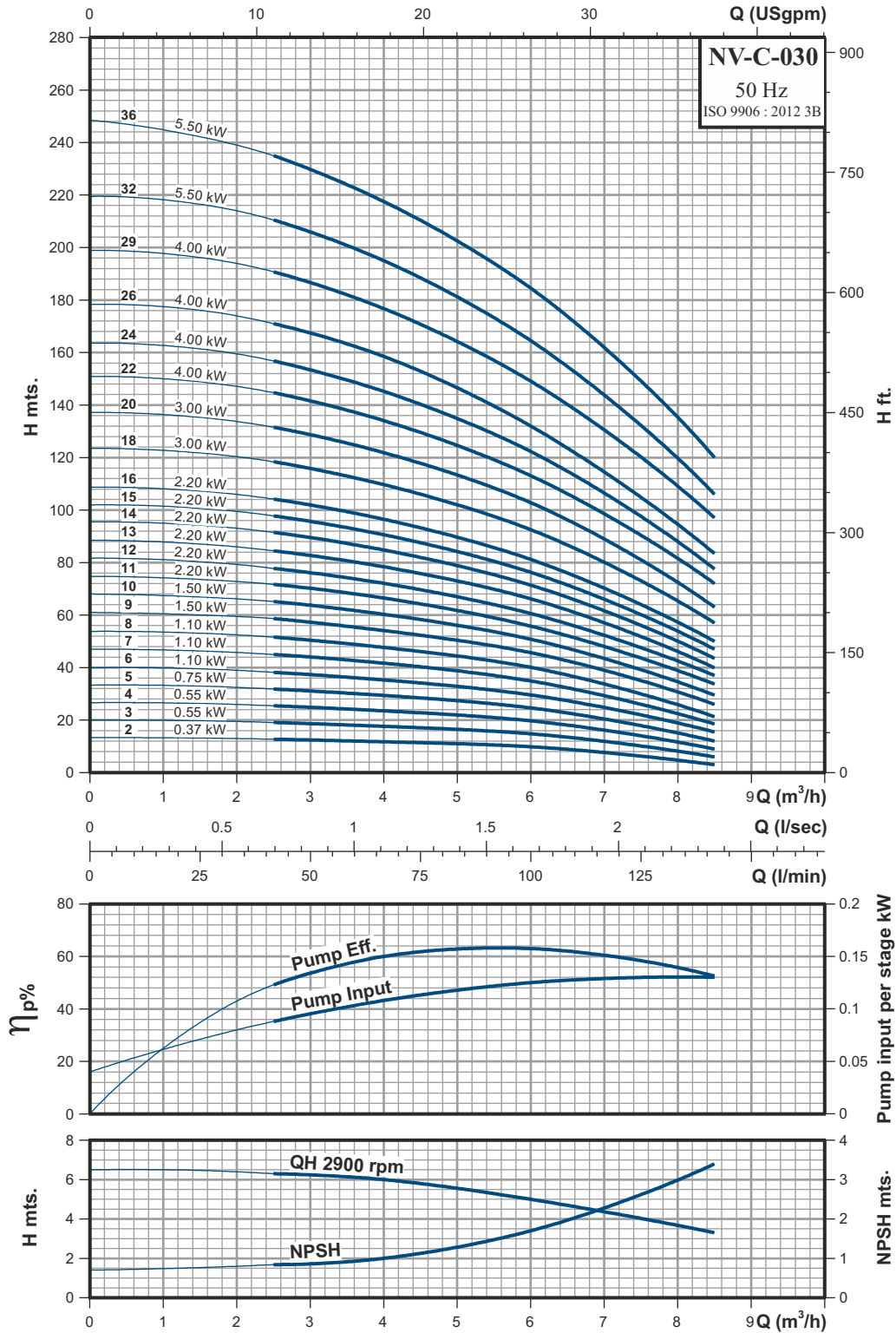


RECOMMENDED PUMP OPERATING RANGE
 PERFORMANCE BASED ON TEST ACCEPTANCE - ISO 9906:2012 3B.
 PERFORMANCES ARE SUBJECT TO PERIODIC CHANGES DUE TO CONTINUOUS IMPROVEMENTS.

VERTICAL MULTI-STAGE PUMPS

NV-C-030

PERFORMANCE CURVE

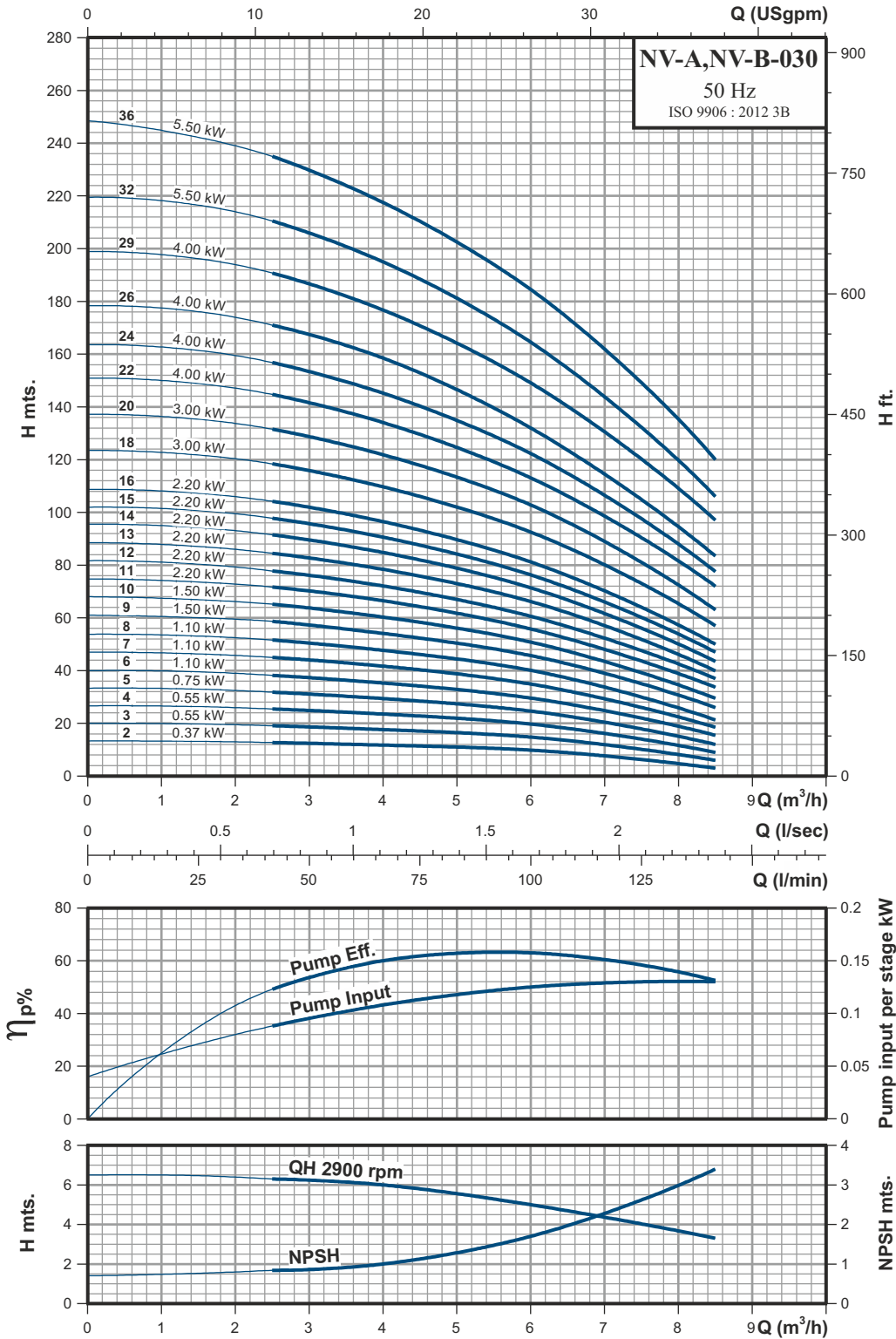


RECOMMENDED PUMP OPERATING RANGE
 PERFORMANCE BASED ON TEST ACCEPTANCE - ISO 9906:2012 3B.
 PERFORMANCES ARE SUBJECT TO PERIODIC CHANGES DUE TO CONTINUOUS IMPROVEMENTS.

VERTICAL MULTI-STAGE PUMPS

NV-A-030 / NV-B-030

PERFORMANCE CURVE

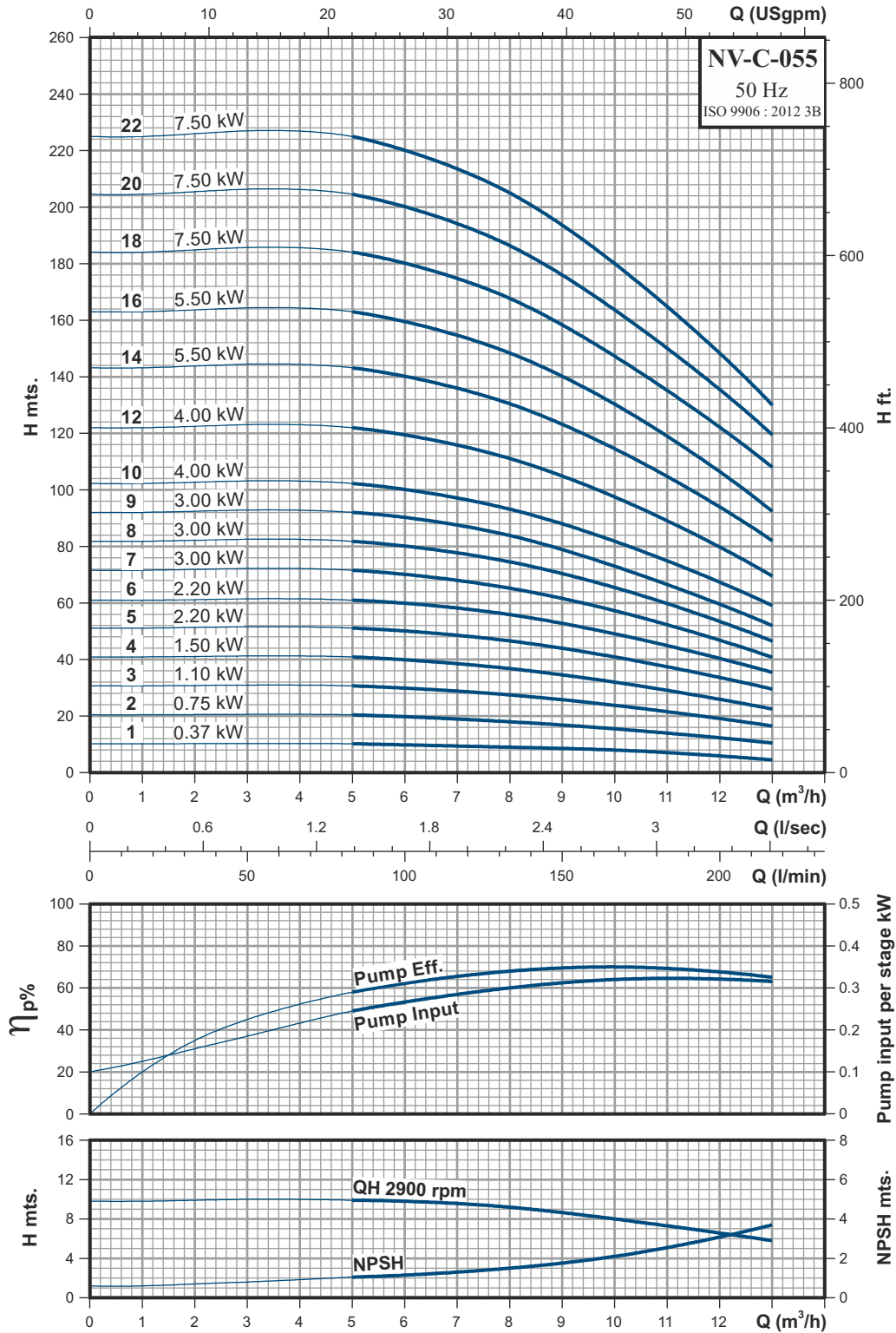


RECOMMENDED PUMP OPERATING RANGE
 PERFORMANCE BASED ON TEST ACCEPTANCE - ISO 9906:2012 3B.
 PERFORMANCES ARE SUBJECT TO PERIODIC CHANGES DUE TO CONTINUOUS IMPROVEMENTS.

VERTICAL MULTI-STAGE PUMPS

NV-C-055

PERFORMANCE CURVE

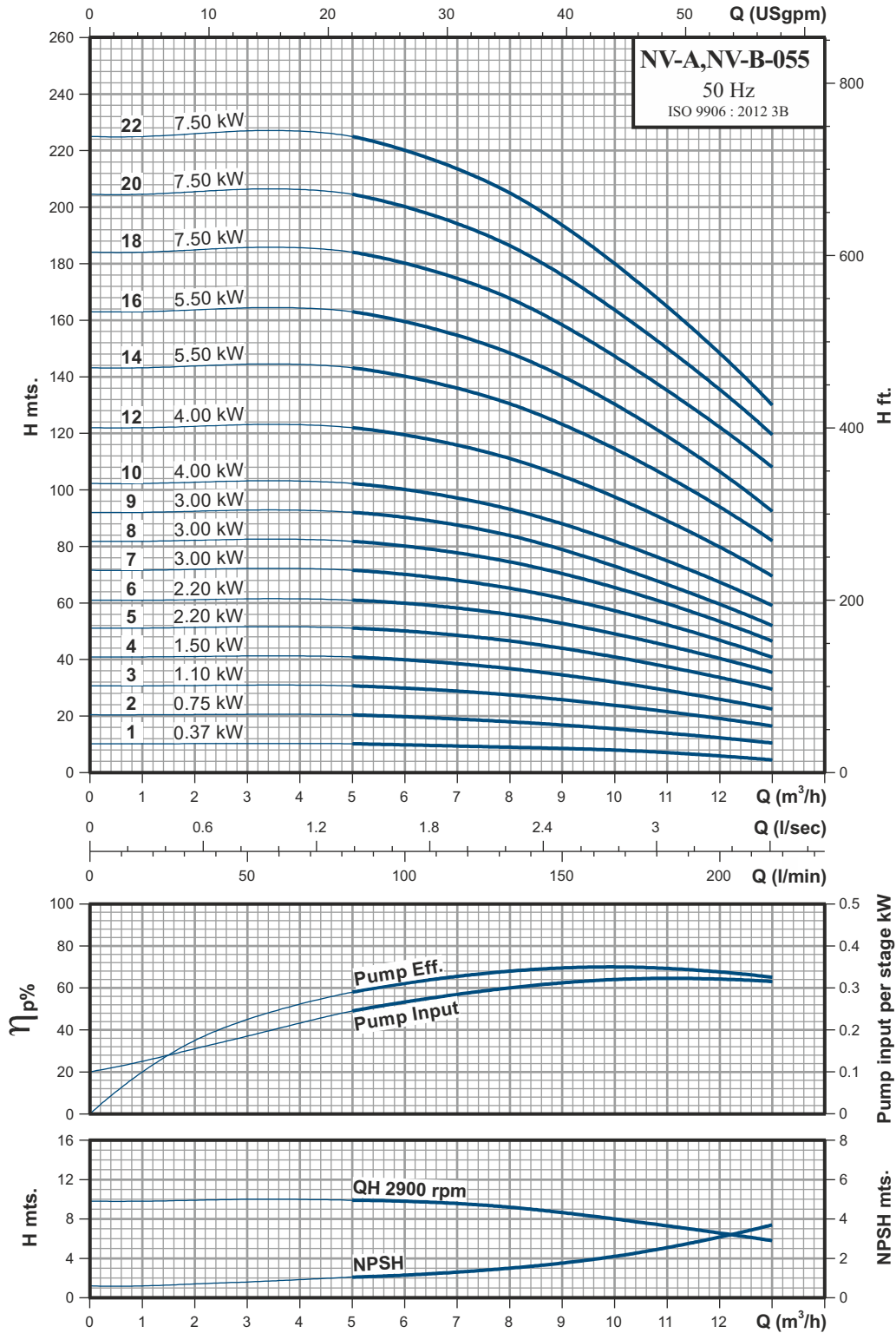


RECOMMENDED PUMP OPERATING RANGE
 PERFORMANCE BASED ON TEST ACCEPTANCE - ISO 9906:2012 3B.
 PERFORMANCES ARE SUBJECT TO PERIODIC CHANGES DUE TO CONTINUOUS IMPROVEMENTS.

VERTICAL MULTI-STAGE PUMPS

NV-A-055 / NV-B-055

PERFORMANCE CURVE

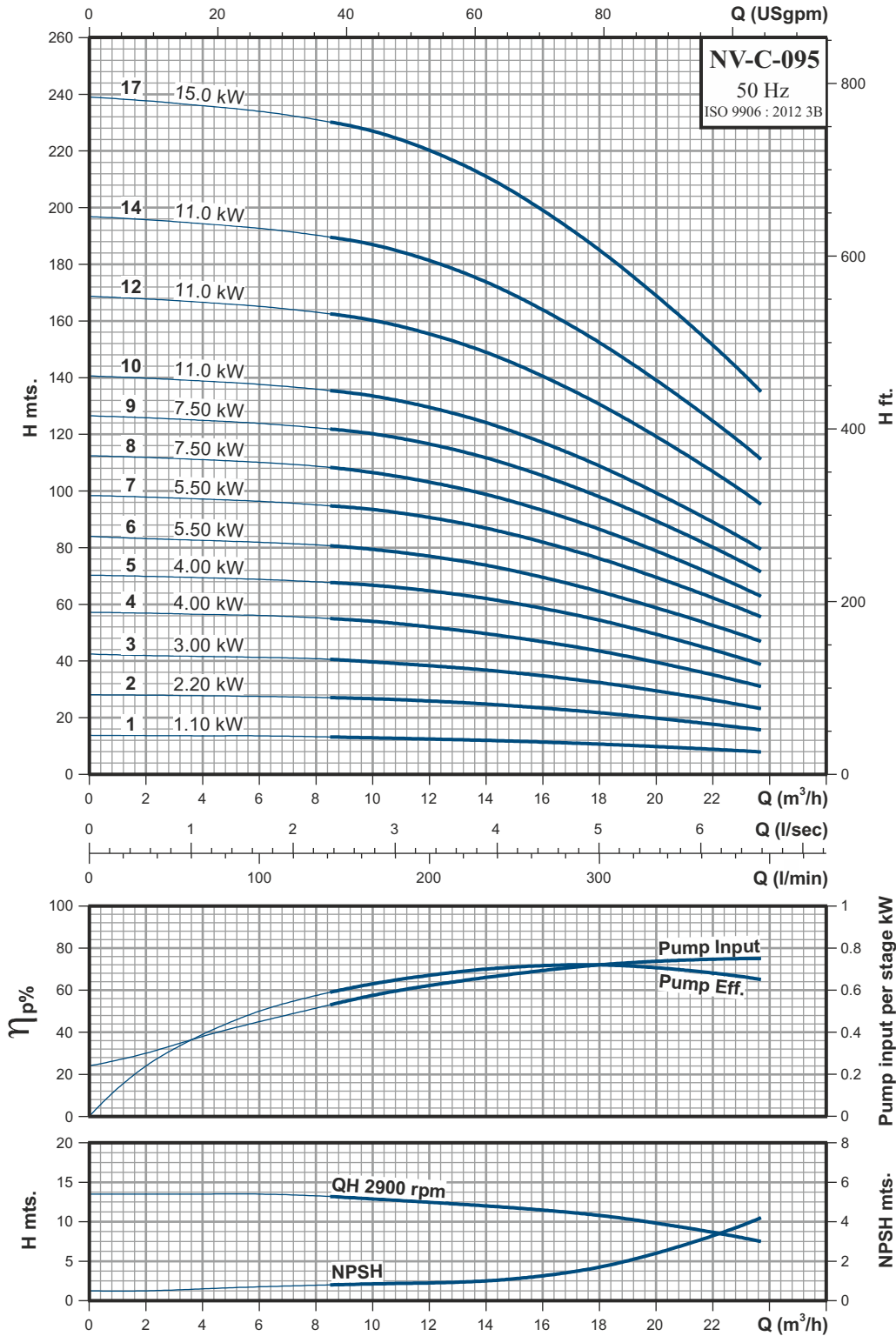


RECOMMENDED PUMP OPERATING RANGE
 PERFORMANCE BASED ON TEST ACCEPTANCE - ISO 9906:2012 3B.
 PERFORMANCES ARE SUBJECT TO PERIODIC CHANGES DUE TO CONTINUOUS IMPROVEMENTS.

VERTICAL MULTI-STAGE PUMPS

NV-C-095

PERFORMANCE CURVE

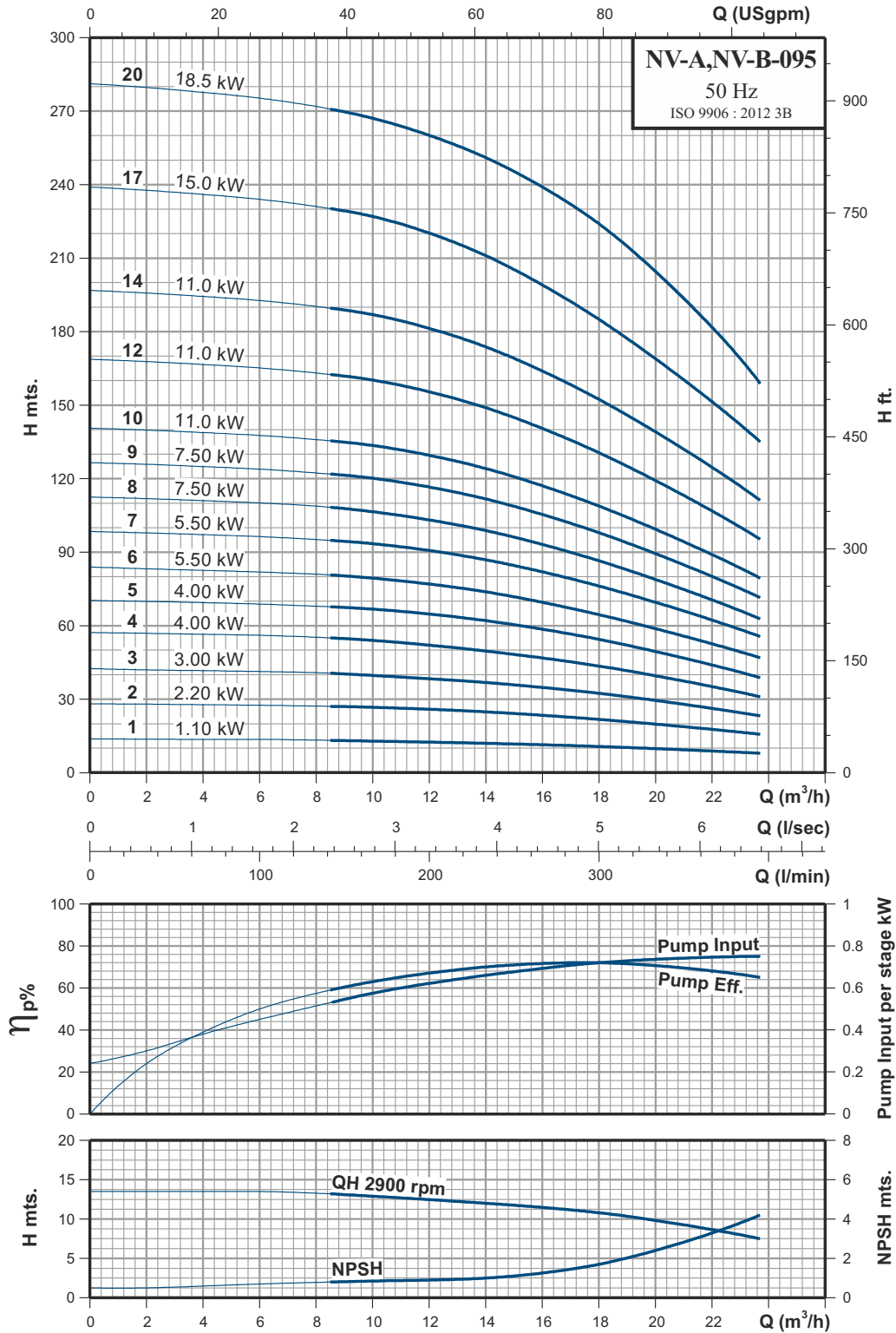


RECOMMENDED PUMP OPERATING RANGE
 PERFORMANCE BASED ON TEST ACCEPTANCE - ISO 9906:2012 3B.
 PERFORMANCES ARE SUBJECT TO PERIODIC CHANGES DUE TO CONTINUOUS IMPROVEMENTS.

VERTICAL MULTI-STAGE PUMPS

NV-A,NV-B-095

PERFORMANCE CURVE

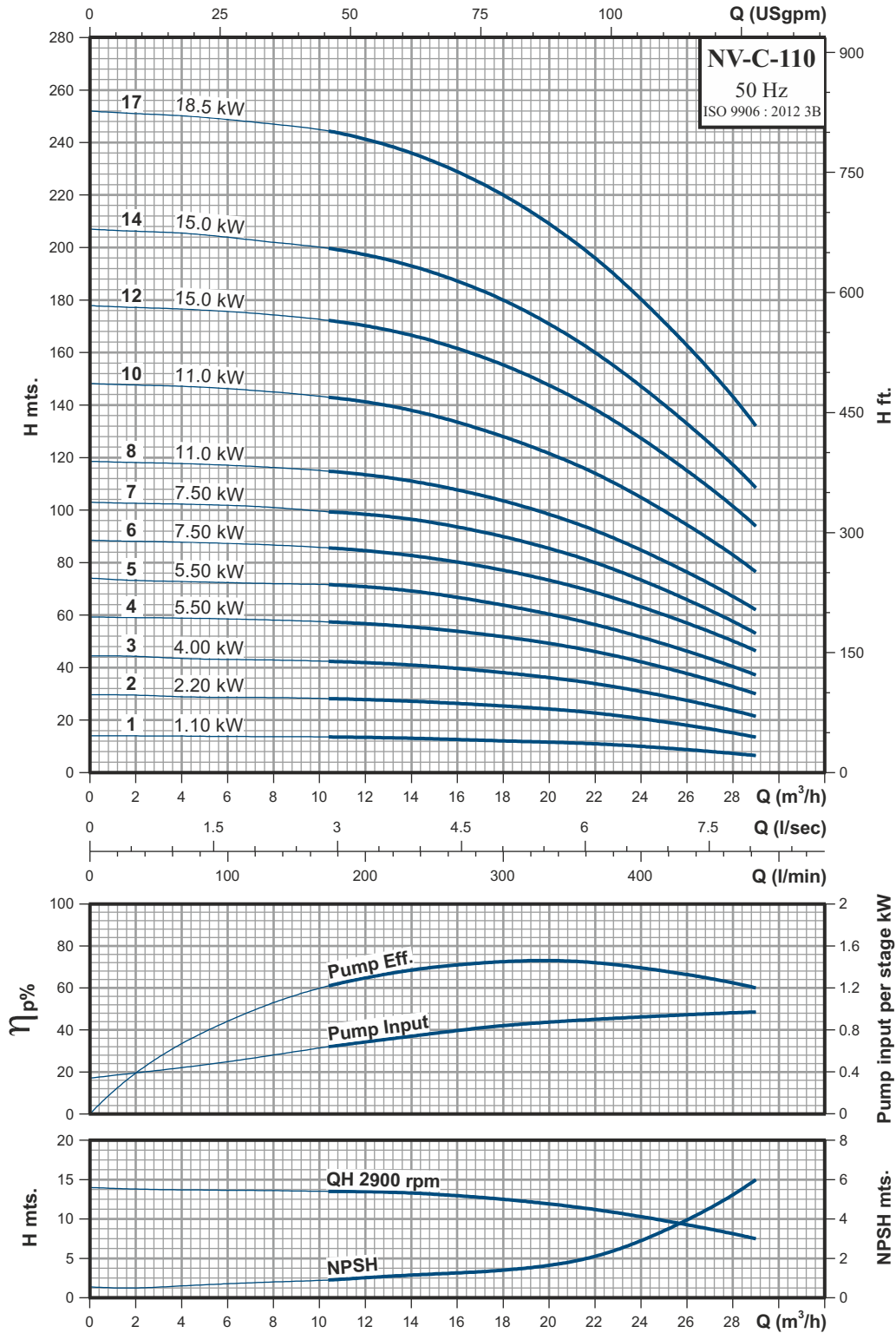


RECOMMENDED PUMP OPERATING RANGE
 PERFORMANCE BASED ON TEST ACCEPTANCE - ISO 9906:2012 3B.
 PERFORMANCES ARE SUBJECT TO PERIODIC CHANGES DUE TO CONTINUOUS IMPROVEMENTS.

VERTICAL MULTI-STAGE PUMPS

NV-C-110

PERFORMANCE CURVE

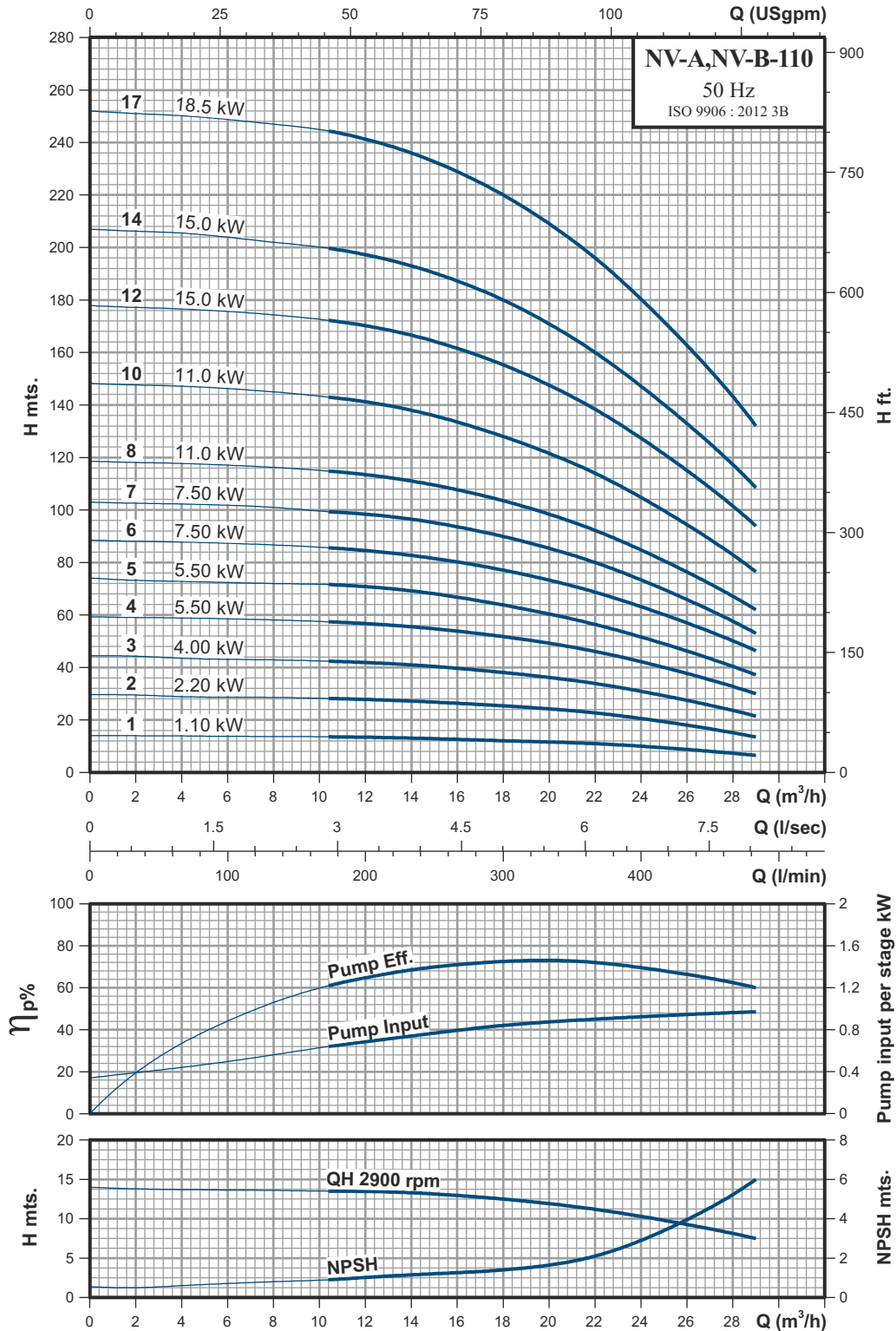


RECOMMENDED PUMP OPERATING RANGE
 PERFORMANCE BASED ON TEST ACCEPTANCE - ISO 9906:2012 3B.
 PERFORMANCES ARE SUBJECT TO PERIODIC CHANGES DUE TO CONTINUOUS IMPROVEMENTS.

VERTICAL MULTI-STAGE PUMPS

NV-A, NV-B-110

PERFORMANCE CURVE



RECOMMENDED PUMP OPERATING RANGE

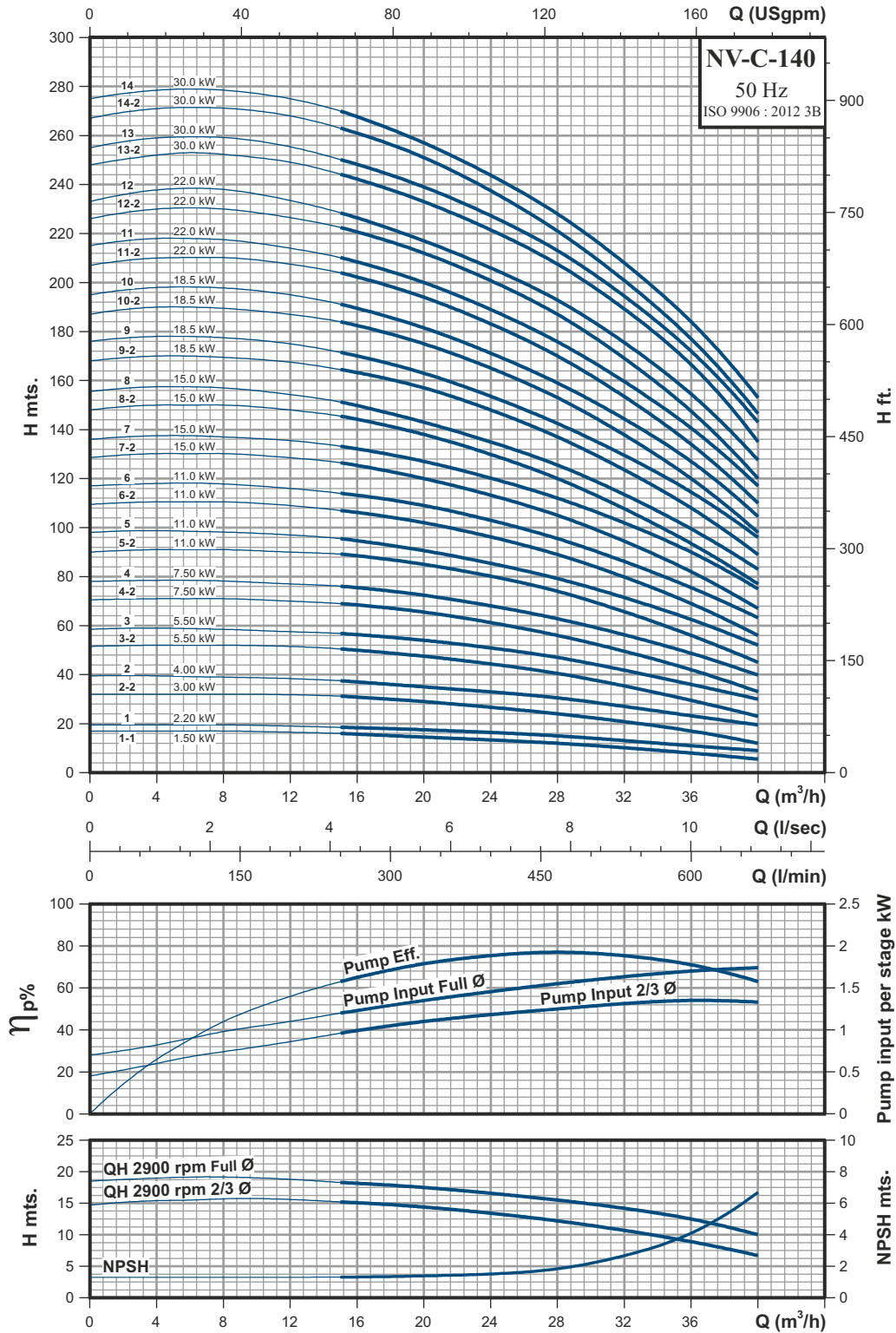
PERFORMANCE BASED ON TEST ACCEPTANCE - ISO 9906:2012 3B.

PERFORMANCES ARE SUBJECT TO PERIODIC CHANGES DUE TO CONTINUOUS IMPROVEMENTS.

VERTICAL MULTI-STAGE PUMPS

NV-C-140

PERFORMANCE CURVE

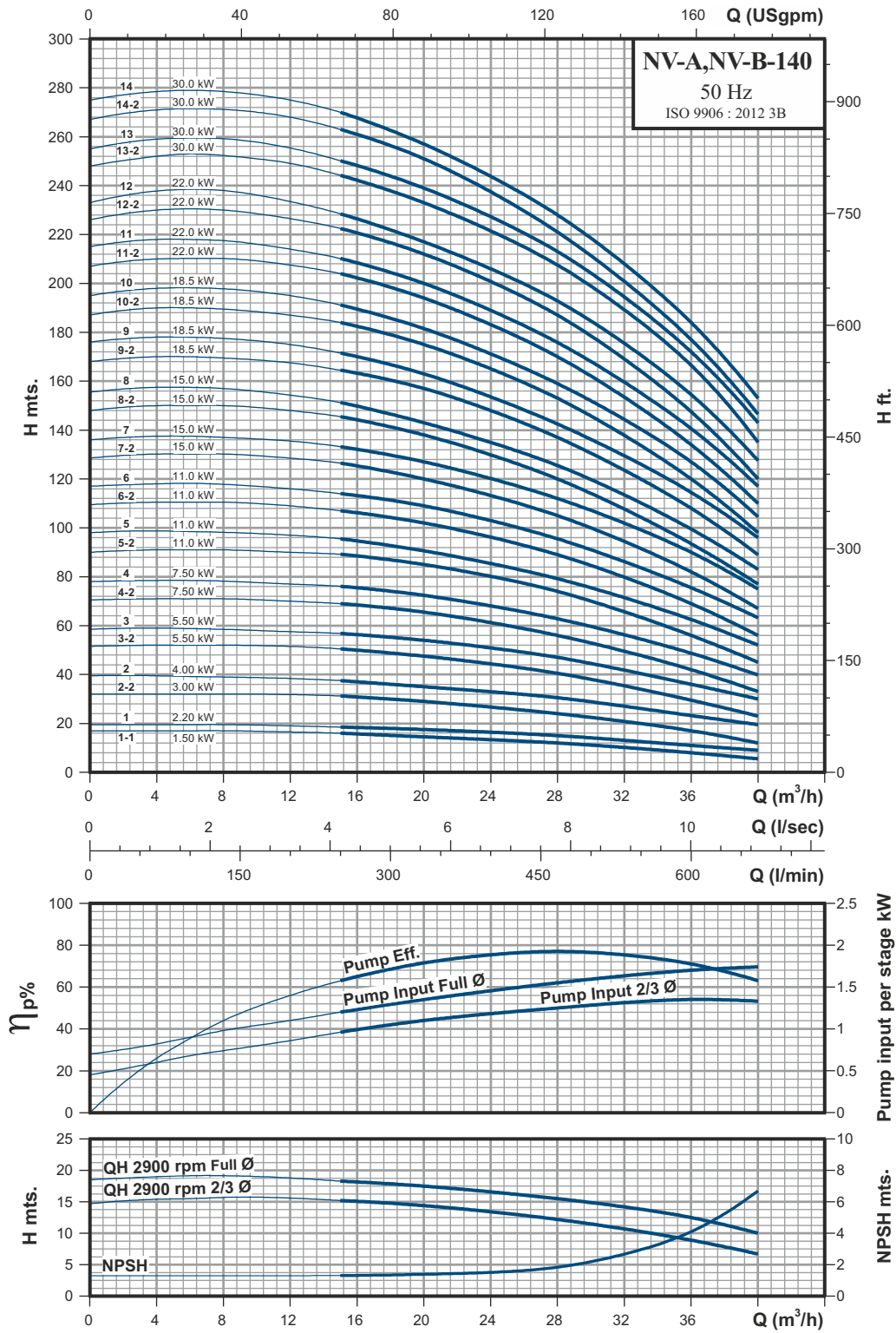


RECOMMENDED PUMP OPERATING RANGE
 PERFORMANCE BASED ON TEST ACCEPTANCE - ISO 9906:2012 3B.
 PERFORMANCES ARE SUBJECT TO PERIODIC CHANGES DUE TO CONTINUOUS IMPROVEMENTS.

VERTICAL MULTI-STAGE PUMPS

NV-A, NV-B-140

PERFORMANCE CURVE

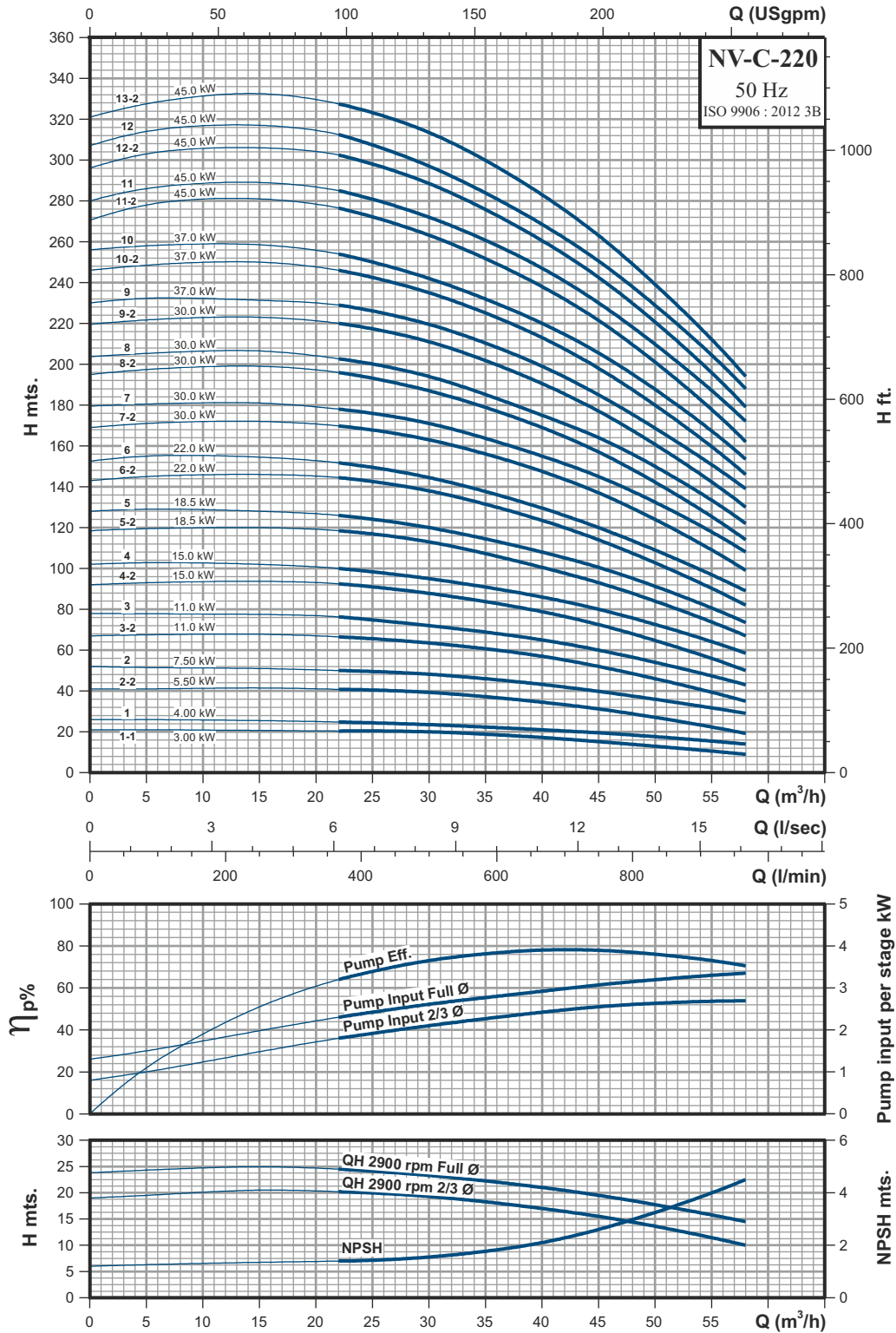


RECOMMENDED PUMP OPERATING RANGE
 PERFORMANCE BASED ON TEST ACCEPTANCE - ISO 9906:2012 3B.
 PERFORMANCES ARE SUBJECT TO PERIODIC CHANGES DUE TO CONTINUOUS IMPROVEMENTS.

VERTICAL MULTI-STAGE PUMPS

NV-C-220

PERFORMANCE CURVE



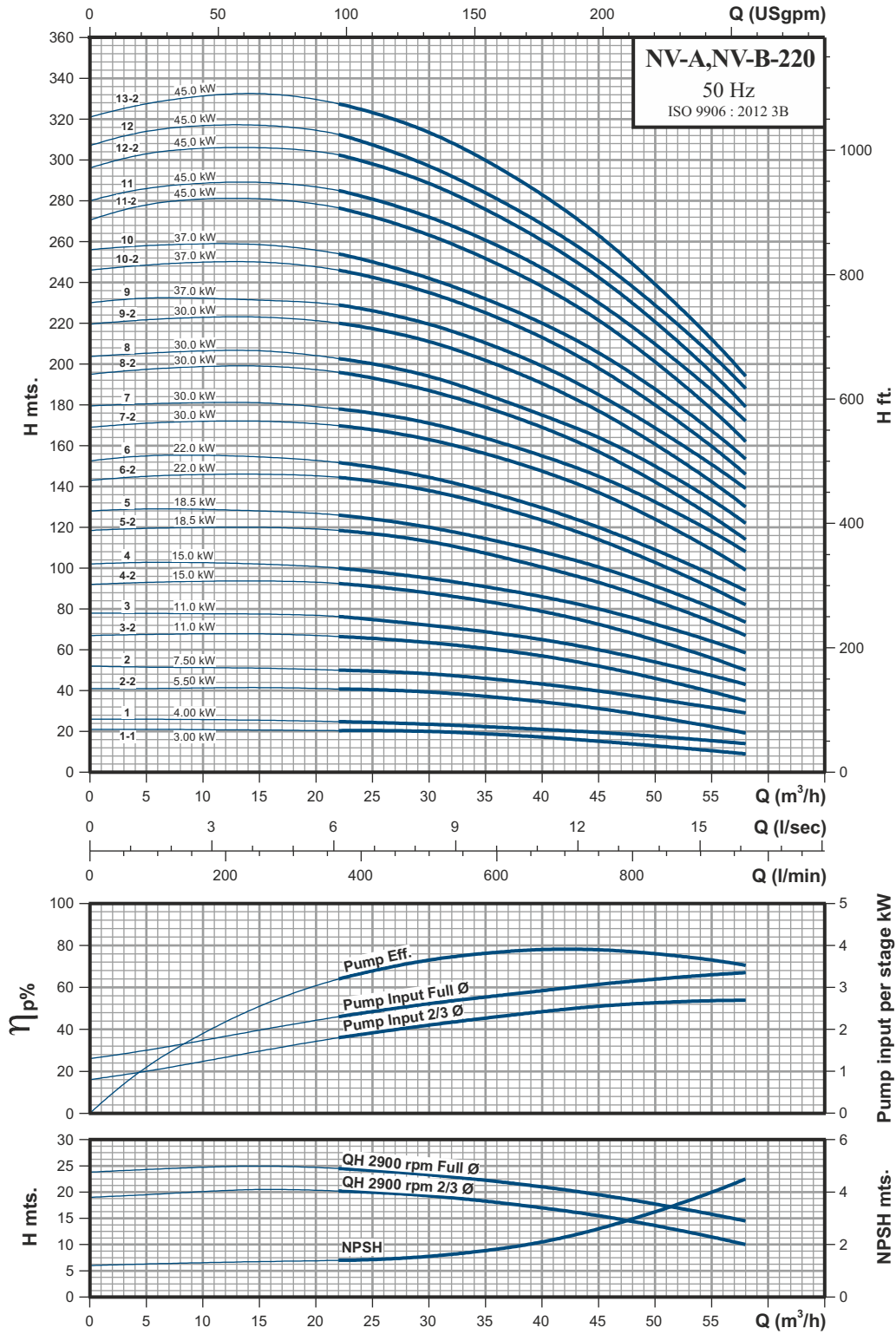
RECOMMENDED PUMP OPERATING RANGE

PERFORMANCE BASED ON TEST ACCEPTANCE - ISO 9906:2012 3B.

PERFORMANCES ARE SUBJECT TO PERIODIC CHANGES DUE TO CONTINUOUS IMPROVEMENTS.

VERTICAL MULTI-STAGE PUMPS

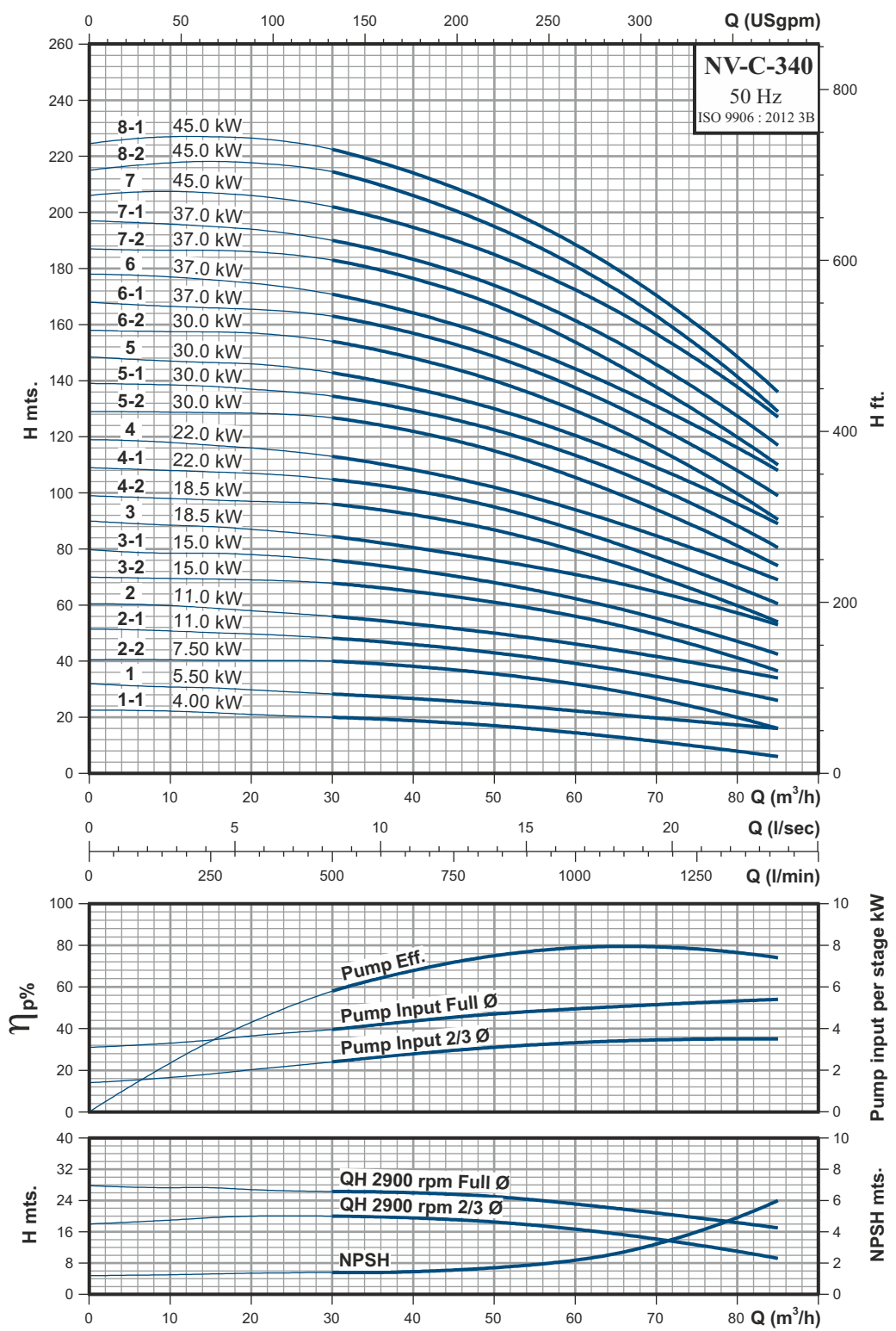
NV-A,NV-B-220 PERFORMANCE CURVE



— RECOMMENDED PUMP OPERATING RANGE
 PERFORMANCE BASED ON TEST ACCEPTANCE - ISO 9906:2012 3B.
 PERFORMANCES ARE SUBJECT TO PERIODIC CHANGES DUE TO CONTINUOUS IMPROVEMENTS.

VERTICAL MULTI-STAGE PUMPS

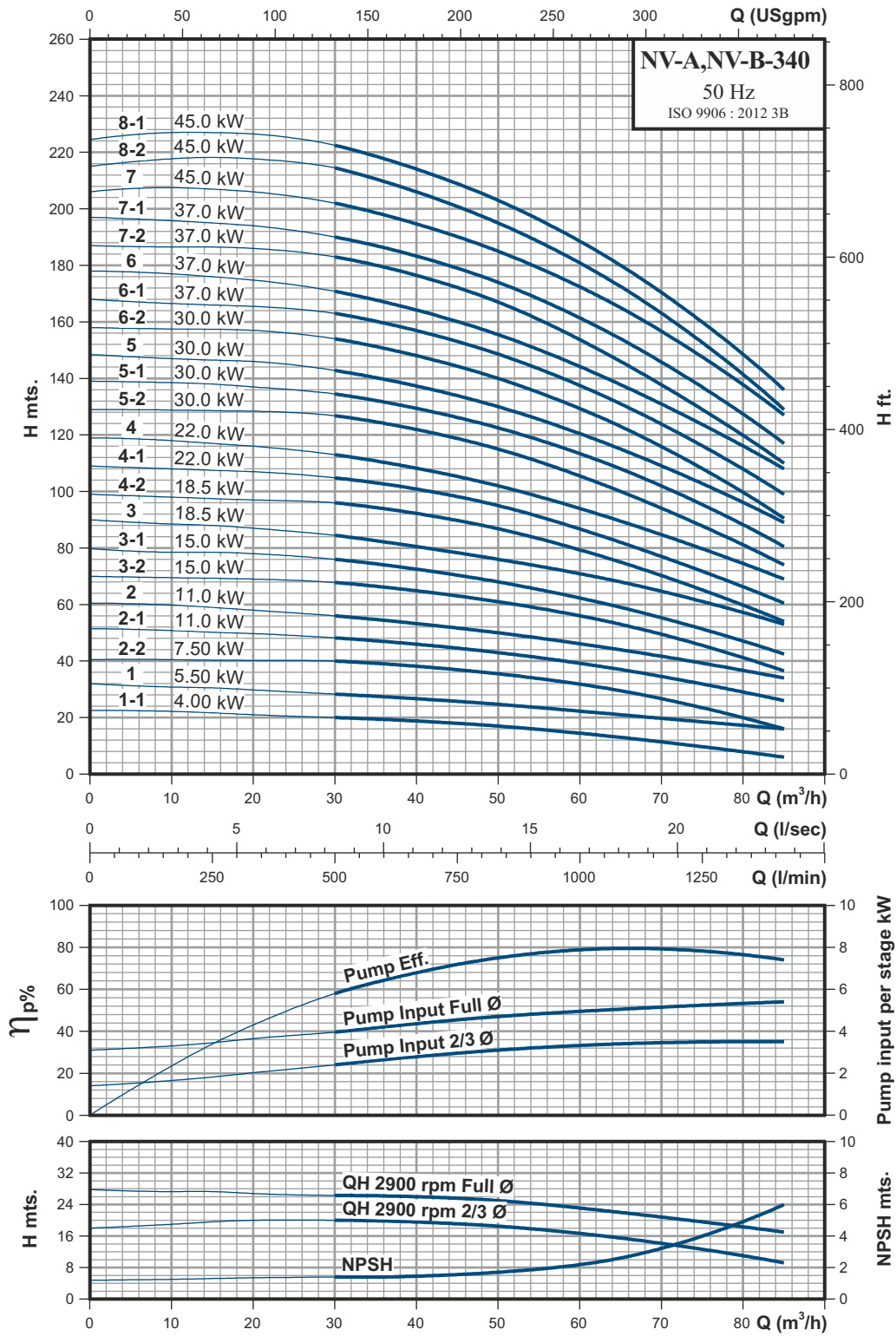
NV-C-340 PERFORMANCE CURVE



— RECOMMENDED PUMP OPERATING RANGE
 PERFORMANCE BASED ON TEST ACCEPTANCE - ISO 9906:2012 3B.
 PERFORMANCES ARE SUBJECT TO PERIODIC CHANGES DUE TO CONTINUOUS IMPROVEMENTS.

VERTICAL MULTI-STAGE PUMPS

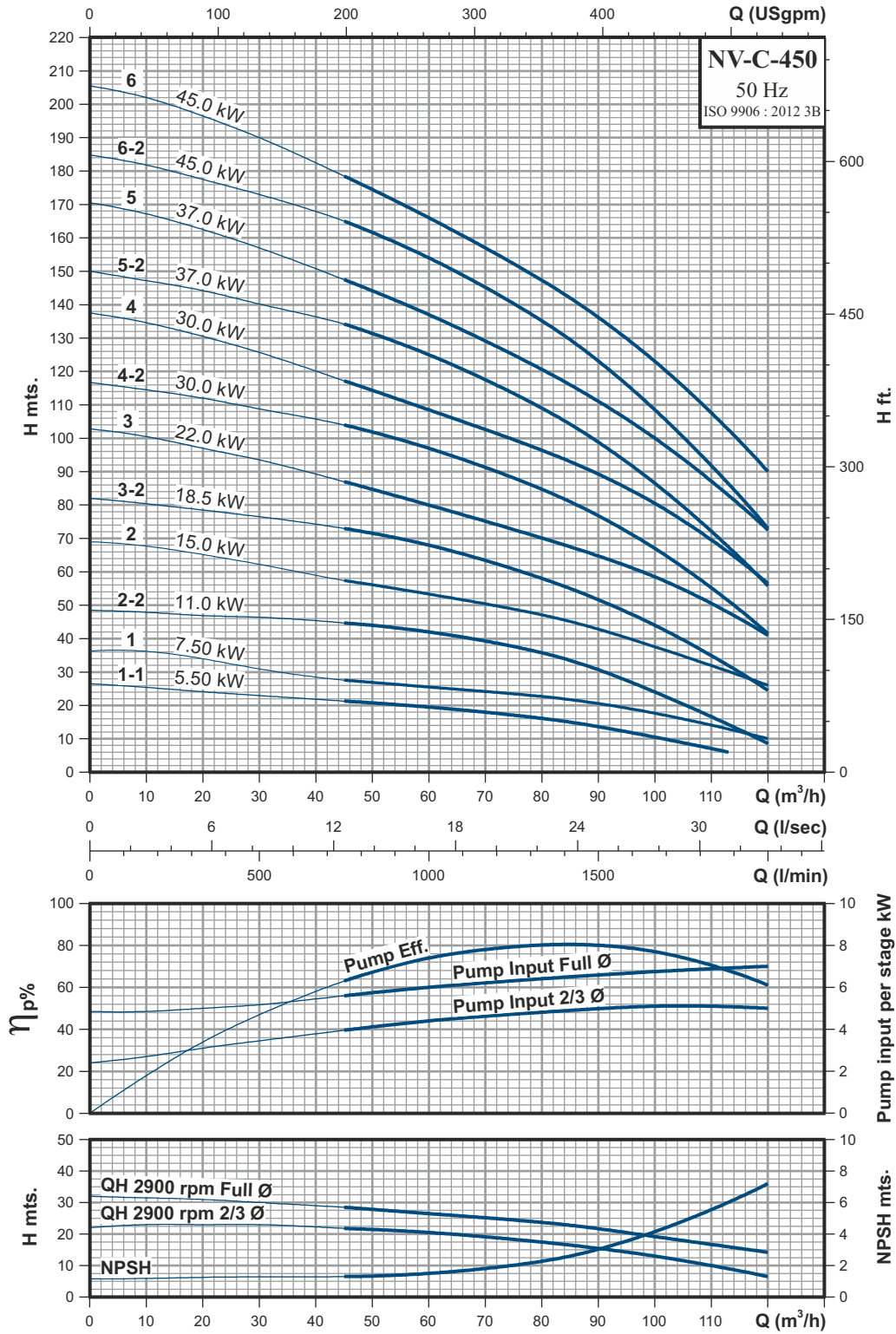
NV-A,NV-B-340 PERFORMANCE CURVE



— RECOMMENDED PUMP OPERATING RANGE
 PERFORMANCE BASED ON TEST ACCEPTANCE - ISO 9906:2012 3B.
 PERFORMANCES ARE SUBJECT TO PERIODIC CHANGES DUE TO CONTINUOUS IMPROVEMENTS.

VERTICAL MULTI-STAGE PUMPS

NV-C-450 PERFORMANCE CURVE

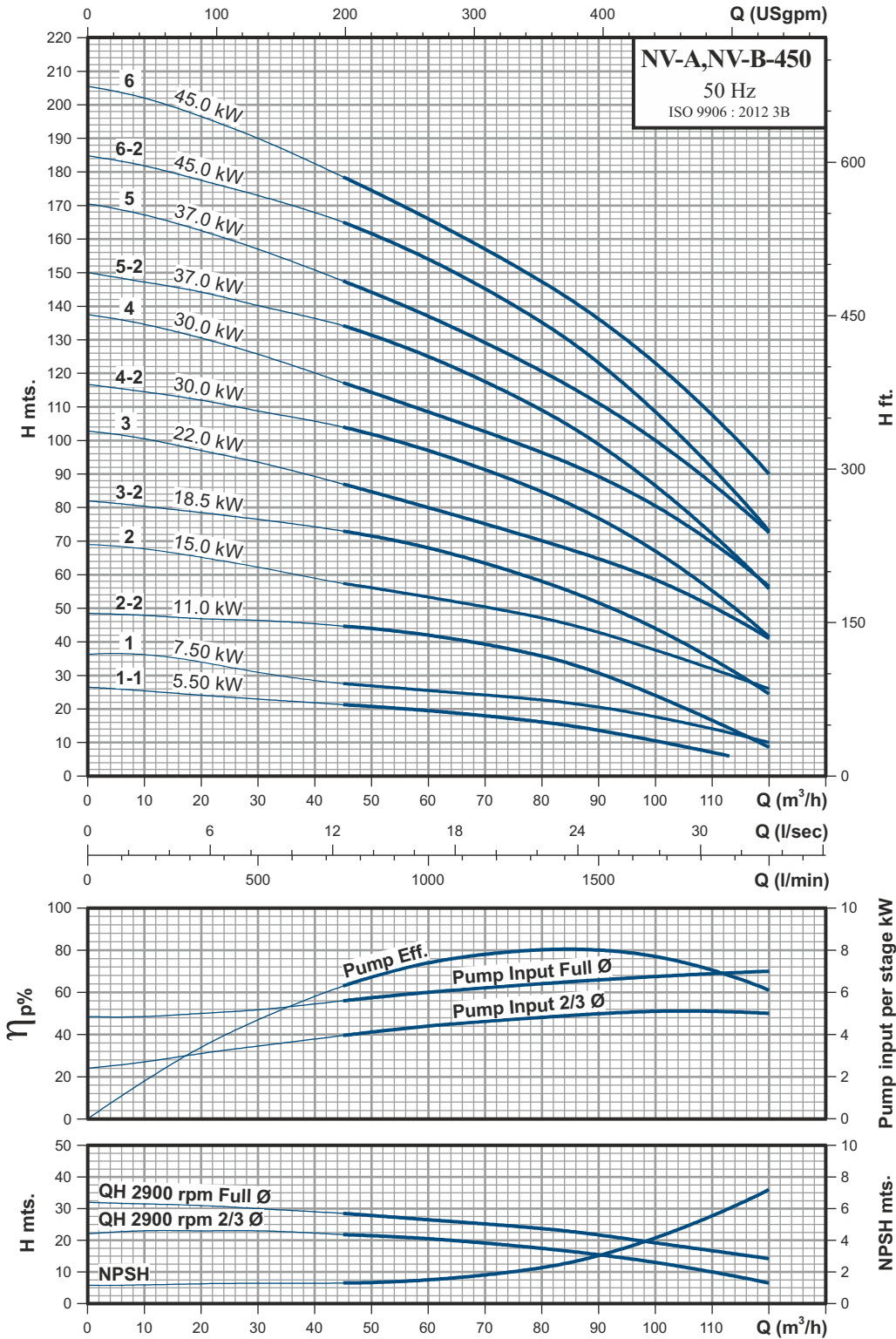


— RECOMMENDED PUMP OPERATING RANGE
 PERFORMANCE BASED ON TEST ACCEPTANCE - ISO 9906:2012 3B.
 PERFORMANCES ARE SUBJECT TO PERIODIC CHANGES DUE TO CONTINUOUS IMPROVEMENTS.

VERTICAL MULTI-STAGE PUMPS

NV-A,NV-B-450

PERFORMANCE CURVE

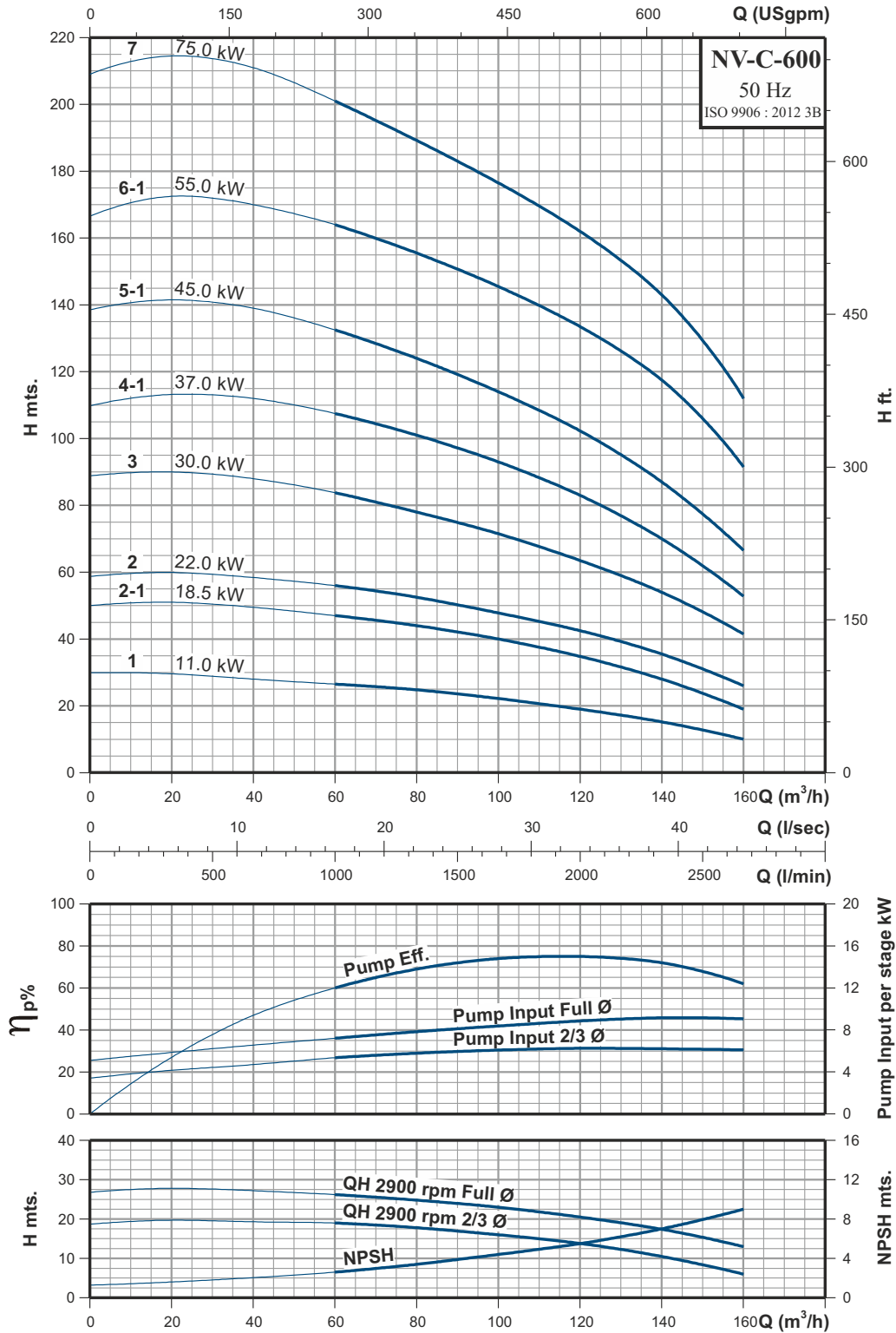


RECOMMENDED PUMP OPERATING RANGE
 PERFORMANCE BASED ON TEST ACCEPTANCE - ISO 9906:2012 3B.
 PERFORMANCES ARE SUBJECT TO PERIODIC CHANGES DUE TO CONTINUOUS IMPROVEMENTS.

VERTICAL MULTI-STAGE PUMPS

NV-C-600

PERFORMANCE CURVE

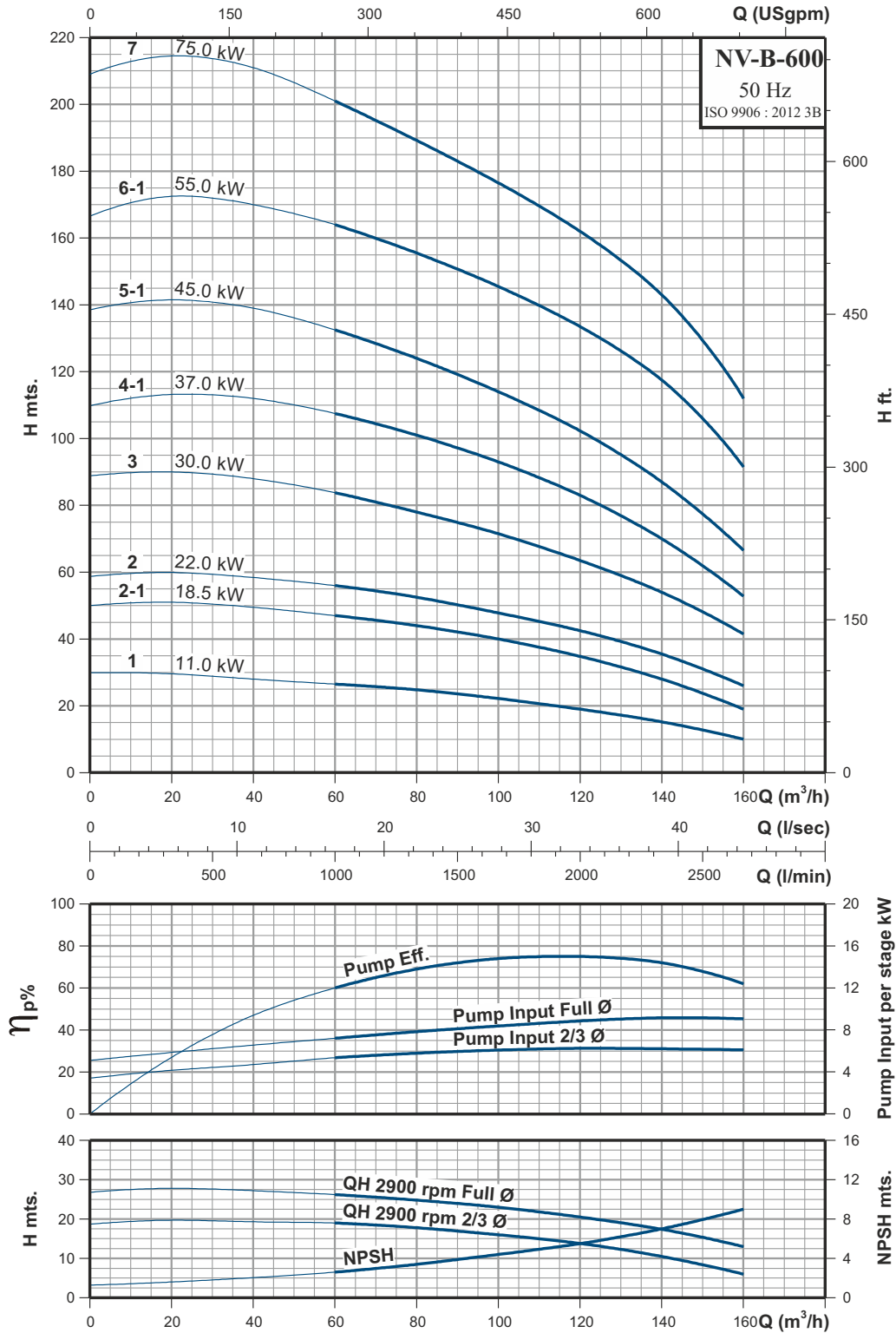


RECOMMENDED PUMP OPERATING RANGE
 PERFORMANCE BASED ON TEST ACCEPTANCE - ISO 9906:2012 3B.
 PERFORMANCES ARE SUBJECT TO PERIODIC CHANGES DUE TO CONTINUOUS IMPROVEMENTS.

VERTICAL MULTI-STAGE PUMPS

NV-B-600

PERFORMANCE CURVE

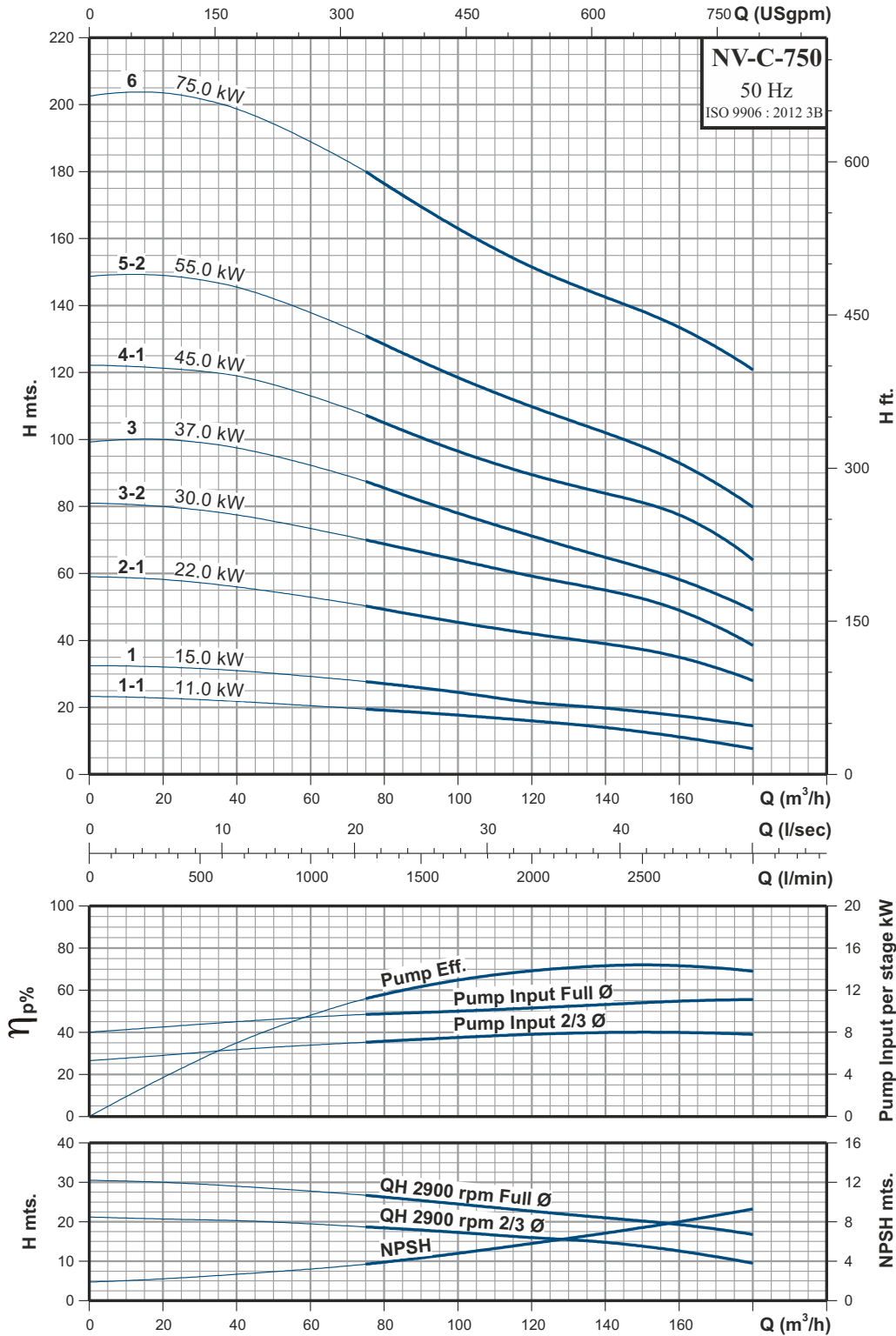


RECOMMENDED PUMP OPERATING RANGE
 PERFORMANCE BASED ON TEST ACCEPTANCE - ISO 9906:2012 3B.
 PERFORMANCES ARE SUBJECT TO PERIODIC CHANGES DUE TO CONTINUOUS IMPROVEMENTS.

VERTICAL MULTI-STAGE PUMPS

NV-C-750

PERFORMANCE CURVE

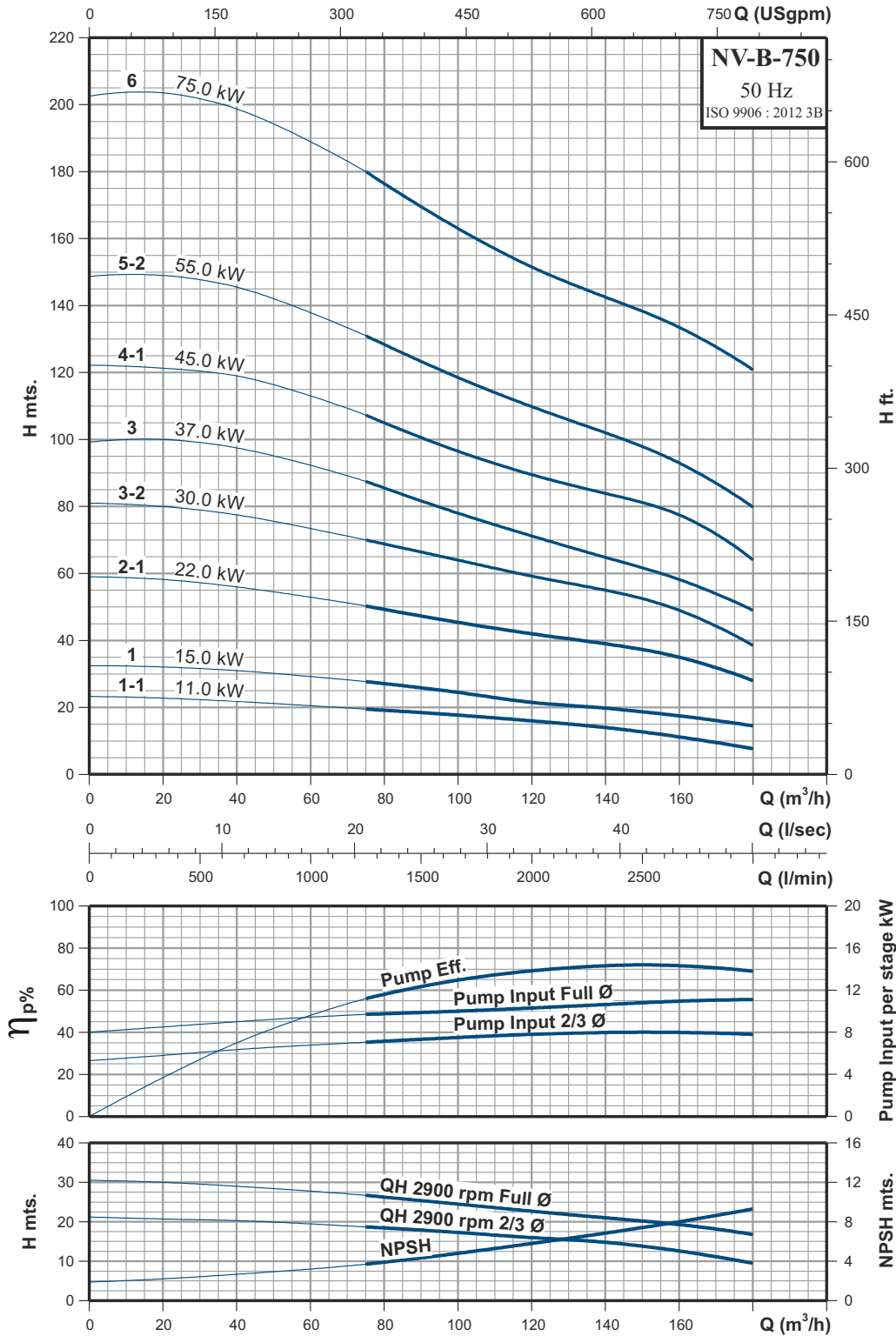


RECOMMENDED PUMP OPERATING RANGE
 PERFORMANCE BASED ON TEST ACCEPTANCE - ISO 9906:2012 3B.
 PERFORMANCES ARE SUBJECT TO PERIODIC CHANGES DUE TO CONTINUOUS IMPROVEMENTS.

VERTICAL MULTI-STAGE PUMPS

NV-B-750

PERFORMANCE CURVE



RECOMMENDED PUMP OPERATING RANGE

PERFORMANCE BASED ON TEST ACCEPTANCE - ISO 9906:2012 3B.

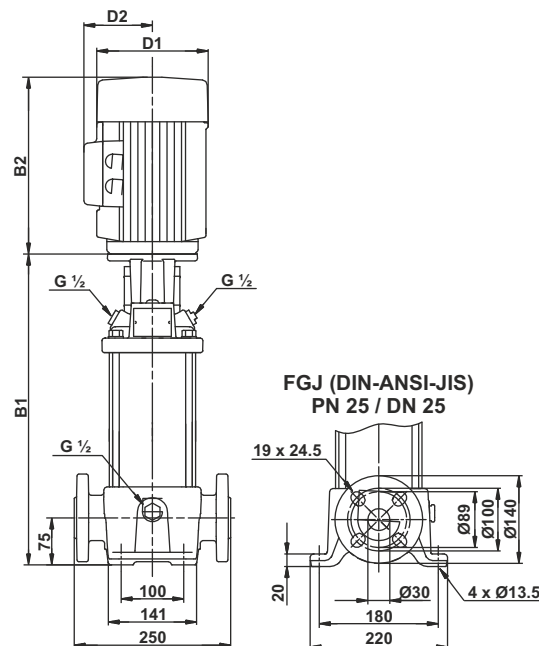
PERFORMANCES ARE SUBJECT TO PERIODIC CHANGES DUE TO CONTINUOUS IMPROVEMENTS.

VERTICAL MULTI-STAGE PUMPS

NV-C-005

DIMENSIONS

Pump type	Dimensions [mm]				Net weight [kg]	Gross weight [kg]	Gross volume [m ³]
	DIN flange		D1	D2			
	B1	B1+B2					
NV-C-005-02-X	261	474	143	106	23.0	33.0	0.1030
NV-C-005-03-X	279	492	143	106	23.0	33.0	0.1030
NV-C-005-04-X	297	510	143	106	23.0	33.0	0.1030
NV-C-005-05-X	315	528	143	106	24.0	34.0	0.1030
NV-C-005-06-X	333	546	143	106	24.0	34.0	0.1030
NV-C-005-07-X	351	564	143	106	24.0	34.0	0.1030
NV-C-005-08-X	369	582	143	106	25.0	39.0	0.1428
NV-C-005-09-X	387	600	143	106	25.0	39.0	0.1428
NV-C-005-10-X	405	618	143	106	26.0	40.0	0.1428
NV-C-005-11-X	423	636	143	106	26.0	40.0	0.1428
NV-C-005-12-X	441	654	143	106	26.0	40.0	0.1428
NV-C-005-13-X	459	672	143	106	27.0	41.0	0.1428
NV-C-005-15-X	495	708	143	106	28.0	42.0	0.1428
NV-C-005-17-X	531	744	143	106	29.0	43.0	0.1428
NV-C-005-19-X	567	780	143	106	30.0	48.0	0.1825
NV-C-005-21-X	609	873	160	113	32.0	50.0	0.1825
NV-C-005-23-X	645	909	160	113	33.0	51.0	0.1825
NV-C-005-25-X	681	945	160	113	34.0	52.0	0.1825
NV-C-005-27-X	717	981	160	113	37.0	55.0	0.1825
NV-C-005-30-X	771	1035	160	113	38.0	58.0	0.2064
NV-C-005-33-X	825	1089	160	113	39.0	59.0	0.2064
NV-C-005-36-X	879	1143	160	113	41.0	61.0	0.2064

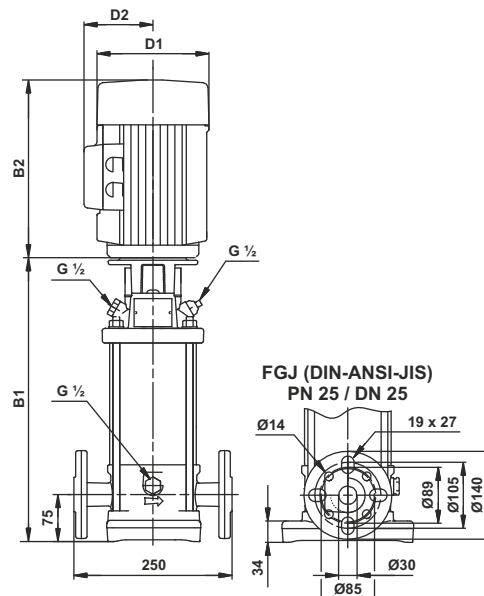


VERTICAL MULTI-STAGE PUMPS

NV-A,NV-B-005

DIMENSIONS

Pump type	Dimensions [mm]				Net weight [kg]	Gross weight [kg]	Gross volume [m ³]
	DIN flange		D1	D2			
	B1	B1+B2					
NV-A,NV-B-005-02-X	264	477	143	106	20.0	30.0	0.1030
NV-A,NV-B-005-03-X	282	495	143	106	21.0	31.0	0.1030
NV-A,NV-B-005-04-X	300	513	143	106	21.0	31.0	0.1030
NV-A,NV-B-005-05-X	318	531	143	106	21.0	31.0	0.1030
NV-A,NV-B-005-06-X	336	549	143	106	22.0	32.0	0.1030
NV-A,NV-B-005-07-X	354	567	143	106	22.0	32.0	0.1030
NV-A,NV-B-005-08-X	372	585	143	106	23.0	37.0	0.1428
NV-A,NV-B-005-09-X	390	603	143	106	23.0	37.0	0.1428
NV-A,NV-B-005-10-X	408	621	143	106	23.0	37.0	0.1428
NV-A,NV-B-005-11-X	426	639	143	106	24.0	38.0	0.1428
NV-A,NV-B-005-12-X	444	657	143	106	24.0	38.0	0.1428
NV-A,NV-B-005-13-X	462	675	143	106	25.0	39.0	0.1428
NV-A,NV-B-005-15-X	498	711	143	106	26.0	40.0	0.1428
NV-A,NV-B-005-17-X	534	747	143	106	27.0	41.0	0.1428
NV-A,NV-B-005-19-X	570	783	143	106	28.0	46.0	0.1825
NV-A,NV-B-005-21-X	612	876	160	113	31.0	49.0	0.1825
NV-A,NV-B-005-23-X	648	912	160	113	31.0	49.0	0.1825
NV-A,NV-B-005-25-X	684	948	160	113	32.0	50.0	0.1825
NV-A,NV-B-005-27-X	720	984	160	113	35.0	53.0	0.1825
NV-A,NV-B-005-30-X	774	1038	160	113	36.0	56.0	0.2064
NV-A,NV-B-005-33-X	828	1092	160	113	37.0	57.0	0.2064
NV-A,NV-B-005-36-X	882	1146	160	113	39.0	59.0	0.2064

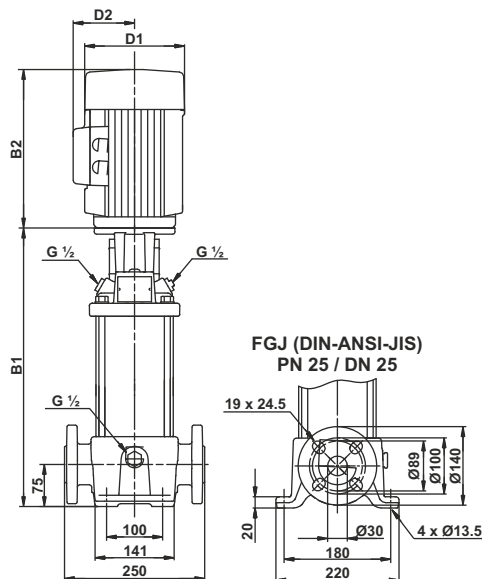


VERTICAL MULTI-STAGE PUMPS

NV-C-010

DIMENSIONS

Pump type	Dimensions [mm]				Net weight [kg]	Gross weight [kg]	Gross volume [m ³]
	DIN flange		D1	D2			
	B1	B1+B2					
NV-C-010-02-X	261	474	143	106	23.0	33.0	0.1030
NV-C-010-03-X	279	492	143	106	23.0	33.0	0.1030
NV-C-010-04-X	297	510	143	106	23.0	33.0	0.1030
NV-C-010-05-X	315	528	143	106	24.0	34.0	0.1030
NV-C-010-06-X	333	546	143	106	24.0	34.0	0.1030
NV-C-010-07-X	351	564	143	106	25.0	35.0	0.1030
NV-C-010-08-X	369	582	143	106	26.0	40.0	0.1428
NV-C-010-09-X	387	600	143	106	26.0	40.0	0.1428
NV-C-010-10-X	405	618	143	106	26.0	40.0	0.1428
NV-C-010-11-X	423	636	143	106	27.0	41.0	0.1428
NV-C-010-12-X	447	711	160	113	29.0	43.0	0.1428
NV-C-010-13-X	465	729	160	113	29.0	43.0	0.1428
NV-C-010-15-X	501	765	160	113	30.0	44.0	0.1428
NV-C-010-17-X	537	801	160	113	33.0	47.0	0.1428
NV-C-010-19-X	573	837	160	113	34.0	52.0	0.1825
NV-C-010-21-X	609	873	160	113	35.0	53.0	0.1825
NV-C-010-23-X	645	909	160	113	36.0	54.0	0.1825
NV-C-010-25-X	697	975	165	130	44.0	62.0	0.1825
NV-C-010-27-X	733	1011	165	130	44.0	62.0	0.1825
NV-C-010-30-X	787	1065	165	130	46.0	66.0	0.2064
NV-C-010-33-X	841	1119	165	130	47.0	67.0	0.2064
NV-C-010-36-X	895	1173	165	130	49.0	69.0	0.2064

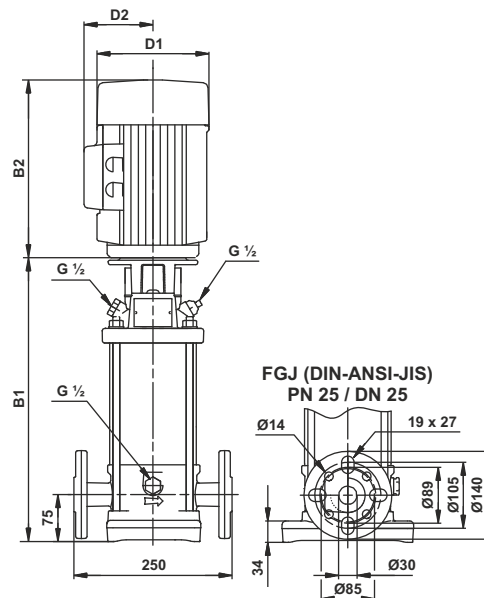


VERTICAL MULTI-STAGE PUMPS

NV-A,NV-B-010

DIMENSIONS

Pump type	Dimensions [mm]				Net weight [kg]	Gross weight [kg]	Gross volume [m ³]
	DIN flange		D1	D2			
	B1	B1+B2					
NV-A,NV-B-010-02-X	264	477	143	106	20.0	30.0	0.1030
NV-A,NV-B-010-03-X	282	495	143	106	21.0	31.0	0.1030
NV-A,NV-B-010-04-X	300	513	143	106	21.0	31.0	0.1030
NV-A,NV-B-010-05-X	318	531	143	106	21.0	31.0	0.1030
NV-A,NV-B-010-06-X	336	549	143	106	22.0	32.0	0.1030
NV-A,NV-B-010-07-X	354	567	143	106	22.0	32.0	0.1030
NV-A,NV-B-010-08-X	372	585	143	106	23.0	37.0	0.1428
NV-A,NV-B-010-09-X	390	603	143	106	24.0	38.0	0.1428
NV-A,NV-B-010-10-X	408	621	143	106	24.0	38.0	0.1428
NV-A,NV-B-010-11-X	426	639	143	106	24.0	38.0	0.1428
NV-A,NV-B-010-12-X	450	714	160	113	27.0	41.0	0.1428
NV-A,NV-B-010-13-X	468	732	160	113	28.0	42.0	0.1428
NV-A,NV-B-010-15-X	504	768	160	113	28.0	42.0	0.1428
NV-A,NV-B-010-17-X	540	804	160	113	31.0	45.0	0.1428
NV-A,NV-B-010-19-X	576	840	160	113	32.0	50.0	0.1825
NV-A,NV-B-010-21-X	612	876	160	113	33.0	51.0	0.1825
NV-A,NV-B-010-23-X	648	912	160	113	34.0	52.0	0.1825
NV-A,NV-B-010-25-X	700	978	165	130	41.0	59.0	0.1825
NV-A,NV-B-010-27-X	736	1014	165	130	42.0	60.0	0.1825
NV-A,NV-B-010-30-X	790	1068	165	130	43.0	63.0	0.2064
NV-A,NV-B-010-33-X	844	1122	165	130	45.0	65.0	0.2064
NV-A,NV-B-010-36-X	898	1176	165	130	46.0	66.0	0.2064

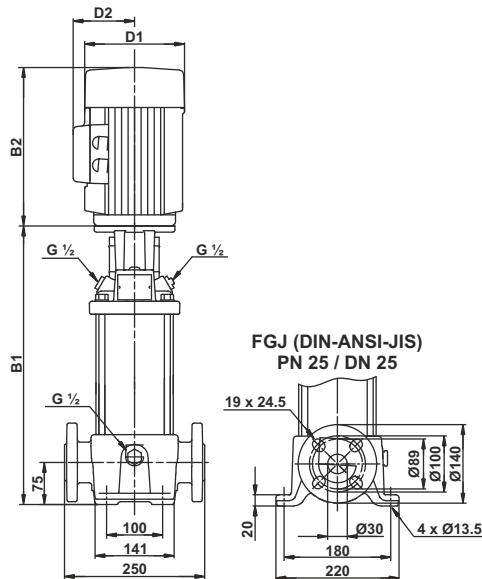


VERTICAL MULTI-STAGE PUMPS

NV-C-012

DIMENSIONS

Pump type	Dimensions [mm]				Net weight [kg]	Gross weight [kg]	Gross volume [m ³]
	DIN flange		D1	D2			
	B1	B1+B2					
NV-C-012-02-X	261	474	143	106	23.0	33.0	0.1030
NV-C-012-03-X	279	492	143	106	23.0	33.0	0.1030
NV-C-012-04-X	297	510	143	106	23.0	33.0	0.1030
NV-C-012-05-X	315	528	143	106	24.0	34.0	0.1030
NV-C-012-06-X	333	597	160	113	26.0	40.0	0.1428
NV-C-012-07-X	351	615	160	113	27.0	41.0	0.1428
NV-C-012-09-X	393	657	160	113	28.0	42.0	0.1428
NV-C-012-11-X	429	693	160	113	31.0	45.0	0.1428
NV-C-012-13-X	465	743	165	130	31.0	45.0	0.1428
NV-C-012-15-X	501	779	165	130	40.0	54.0	0.1428
NV-C-012-18-X	571	849	165	130	41.0	59.0	0.1825
NV-C-012-22-X	643	921	165	130	43.0	61.0	0.1825
NV-C-012-26-X	715	1019	194	140	49.0	78.0	0.2650

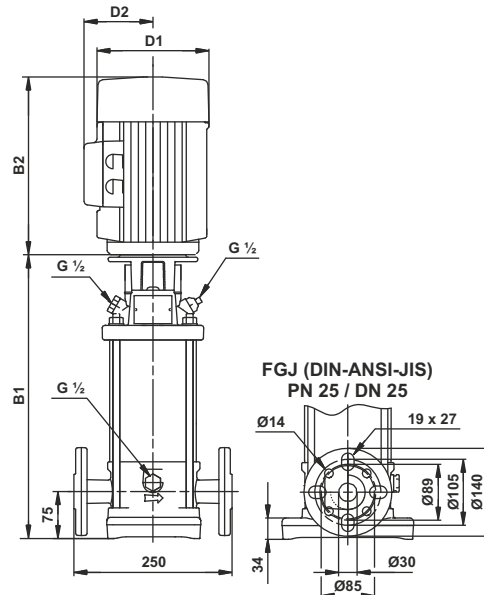


VERTICAL MULTI-STAGE PUMPS

NV-A,NV-B-012

DIMENSIONS

Pump type	Dimensions [mm]				Net weight [kg]	Gross weight [kg]	Gross volume [m ³]
	DIN flange		D1	D2			
	B1	B1+B2					
NV-A,NV-B-012-02-X	264	477	143	106	19.0	29.0	0.1030
NV-A,NV-B-012-03-X	282	495	143	106	19.0	29.0	0.1030
NV-A,NV-B-012-04-X	300	513	143	106	19.0	29.0	0.1030
NV-A,NV-B-012-05-X	318	531	143	106	20.0	30.0	0.1030
NV-A,NV-B-012-06-X	336	600	160	113	22.0	36.0	0.1428
NV-A,NV-B-012-07-X	354	618	160	113	24.0	38.0	0.1428
NV-A,NV-B-012-09-X	396	660	160	113	26.0	40.0	0.1428
NV-A,NV-B-012-11-X	432	696	160	113	27.0	41.0	0.1428
NV-A,NV-B-012-13-X	468	746	165	130	29.0	43.0	0.1428
NV-A,NV-B-012-15-X	504	782	165	130	35.0	49.0	0.1428
NV-A,NV-B-012-18-X	574	852	165	130	37.0	55.0	0.1825
NV-A,NV-B-012-22-X	646	924	165	130	39.0	57.0	0.1825
NV-A,NV-B-012-26-X	718	1022	194	140	46.0	72.0	0.2650

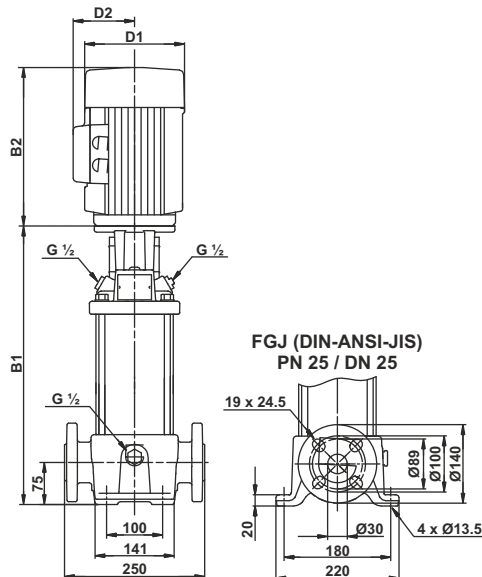


VERTICAL MULTI-STAGE PUMPS

NV-C-016

DIMENSIONS

Pump type	Dimensions [mm]				Net weight [kg]	Gross weight [kg]	Gross volume [m ³]
	DIN flange		D1	D2			
	B1	B1+B2					
NV-C-016-02-X	261	474	143	106	23.0	33.0	0.1030
NV-C-016-03-X	279	492	143	106	23.0	33.0	0.1030
NV-C-016-04-X	297	510	143	106	23.0	33.0	0.1030
NV-C-016-05-X	315	528	143	106	24.0	34.0	0.1030
NV-C-016-06-X	333	546	143	106	25.0	35.0	0.1030
NV-C-016-07-X	351	564	143	106	25.0	35.0	0.1030
NV-C-016-08-X	375	639	160	113	27.0	41.0	0.1428
NV-C-016-09-X	393	657	160	113	28.0	42.0	0.1428
NV-C-016-10-X	411	675	160	113	28.0	42.0	0.1428
NV-C-016-11-X	429	693	160	113	31.0	45.0	0.1428
NV-C-016-12-X	447	711	160	113	31.0	45.0	0.1428
NV-C-016-13-X	465	729	160	113	31.0	45.0	0.1428
NV-C-016-15-X	501	765	160	113	32.0	46.0	0.1428
NV-C-016-17-X	553	831	165	130	40.0	54.0	0.1428
NV-C-016-19-X	589	867	165	130	41.0	59.0	0.1825
NV-C-016-21-X	625	903	165	130	42.0	60.0	0.1825
NV-C-016-23-X	661	939	165	130	43.0	61.0	0.1825
NV-C-016-25-X	697	975	165	130	44.0	62.0	0.1825
NV-C-016-27-X	733	1011	165	130	45.0	63.0	0.1825
NV-C-016-29-X	769	1047	165	130	46.0	64.0	0.1825
NV-C-016-31-X	809	1113	194	140	51.0	80.0	0.2996
NV-C-016-33-X	845	1149	194	140	51.0	80.0	0.2996
NV-C-016-36-X	899	1203	194	140	53.0	82.0	0.2996

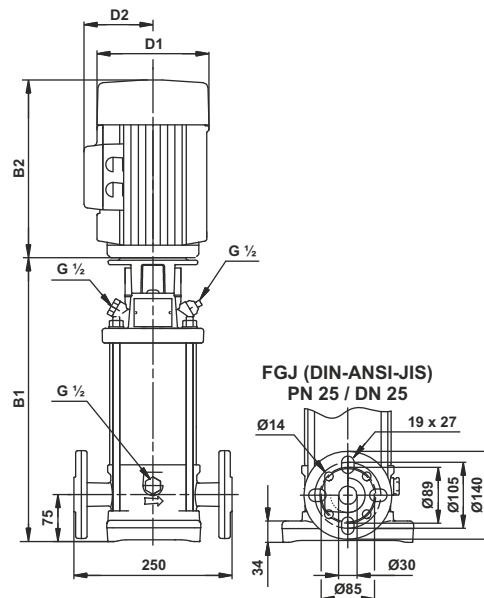


VERTICAL MULTI-STAGE PUMPS

NV-A,NV-B-016

DIMENSIONS

Pump type	Dimensions [mm]				Net weight [kg]	Gross weight [kg]	Gross volume [m ³]
	DIN flange		D1	D2			
	B1	B1+B2					
NV-A,NV-B-016-02-X	264	477	143	106	19.0	29.0	0.1030
NV-A,NV-B-016-03-X	282	495	143	106	19.0	29.0	0.1030
NV-A,NV-B-016-04-X	300	513	143	106	19.0	29.0	0.1030
NV-A,NV-B-016-05-X	318	531	143	106	20.0	30.0	0.1030
NV-A,NV-B-016-06-X	336	549	143	106	21.0	31.0	0.1030
NV-A,NV-B-016-07-X	354	567	143	106	21.0	31.0	0.1030
NV-A,NV-B-016-08-X	378	642	160	113	24.0	38.0	0.1428
NV-A,NV-B-016-09-X	396	660	160	113	24.0	38.0	0.1428
NV-A,NV-B-016-10-X	414	678	160	113	25.0	39.0	0.1428
NV-A,NV-B-016-11-X	432	696	160	113	27.0	41.0	0.1428
NV-A,NV-B-016-12-X	450	714	160	113	28.0	42.0	0.1428
NV-A,NV-B-016-13-X	468	732	160	113	28.0	42.0	0.1428
NV-A,NV-B-016-15-X	504	768	160	113	29.0	43.0	0.1428
NV-A,NV-B-016-17-X	556	834	165	130	36.0	50.0	0.1428
NV-A,NV-B-016-19-X	592	870	165	130	37.0	55.0	0.1825
NV-A,NV-B-016-21-X	628	906	165	130	38.0	56.0	0.1825
NV-A,NV-B-016-23-X	664	942	165	130	39.0	57.0	0.1825
NV-A,NV-B-016-25-X	700	978	165	130	40.0	58.0	0.1825
NV-A,NV-B-016-27-X	736	1014	165	130	41.0	59.0	0.1825
NV-A,NV-B-016-29-X	772	1050	165	130	42.0	60.0	0.1825
NV-A,NV-B-016-31-X	812	1116	194	140	47.0	76.0	0.2996
NV-A,NV-B-016-33-X	848	1152	194	140	47.0	76.0	0.2996
NV-A,NV-B-016-36-X	902	1206	194	140	49.0	78.0	0.2996

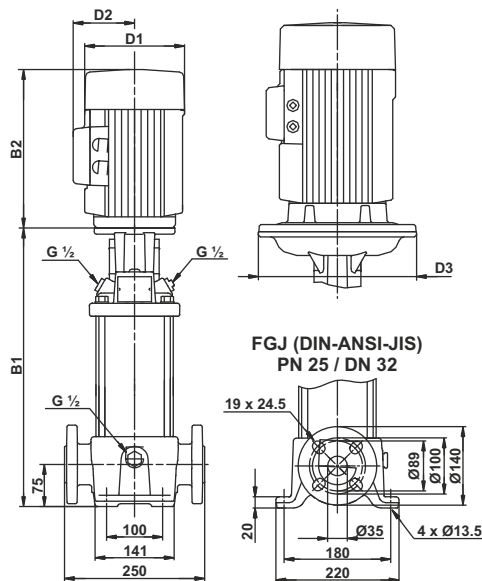


VERTICAL MULTI-STAGE PUMPS

NV-C-027

DIMENSIONS

Pump type	Dimensions [mm]				Net weight [kg]	Gross weight [kg]	Gross volume [m ³]
	DIN flange		D1	D2			
	B1	B1+B2					
NV-C-027-02-X	279	492	143	106	23.0	33.0	0.1030
NV-C-027-03-X	306	519	143	106	24.0	34.0	0.1030
NV-C-027-04-X	333	597	160	113	27.0	41.0	0.1428
NV-C-027-05-X	366	630	160	113	29.0	43.0	0.1428
NV-C-027-06-X	393	657	160	113	30.0	44.0	0.1428
NV-C-027-07-X	420	698	165	130	37.0	51.0	0.1428
NV-C-027-08-X	447	725	165	130	38.0	52.0	0.1428
NV-C-027-10-X	517	795	165	130	40.0	54.0	0.1428
NV-C-027-12-X	571	849	165	130	41.0	59.0	0.1825
NV-C-027-14-X	625	929	194	140	44.0	64.0	0.2650
NV-C-027-16-X	679	983	194	140	46.0	69.0	0.2650
NV-C-027-19-X	764	1114	220	150	60.0	89.0	0.2996
NV-C-027-22-X	845	1195	220	150	62.0	91.0	0.2996

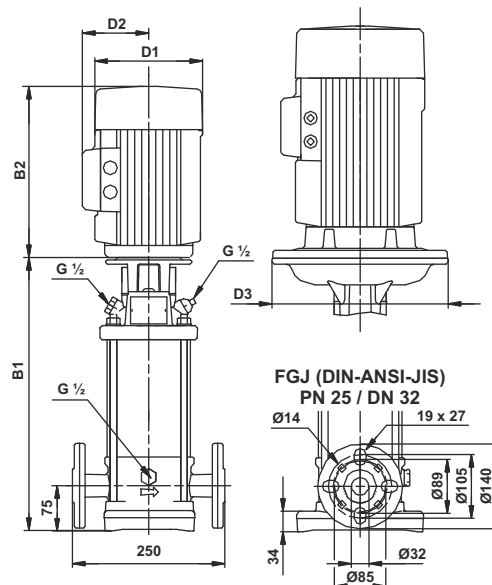


VERTICAL MULTI-STAGE PUMPS

NV-A,NV-B-027

DIMENSIONS

Pump type	Dimensions [mm]				Net weight [kg]	Gross weight [kg]	Gross volume [m ³]
	DIN flange		D1	D2			
	B1	B1+B2					
NV-A,NV-B-027-02-X	282	495	143	106	21.0	31.0	0.1030
NV-A,NV-B-027-03-X	309	522	143	106	22.0	32.0	0.1030
NV-A,NV-B-027-04-X	336	600	160	113	25.0	39.0	0.1428
NV-A,NV-B-027-05-X	369	633	160	113	27.0	41.0	0.1428
NV-A,NV-B-027-06-X	396	660	160	113	28.0	42.0	0.1428
NV-A,NV-B-027-07-X	423	701	165	130	35.0	49.0	0.1428
NV-A,NV-B-027-08-X	450	728	165	130	36.0	50.0	0.1428
NV-A,NV-B-027-10-X	520	798	165	130	37.0	55.0	0.1428
NV-A,NV-B-027-12-X	574	852	165	130	38.0	56.0	0.1825
NV-A,NV-B-027-14-X	628	932	194	140	44.0	64.0	0.2650
NV-A,NV-B-027-16-X	682	986	194	140	45.0	68.0	0.2650
NV-A,NV-B-027-19-X	767	1117	220	150	57.0	86.0	0.2996
NV-A,NV-B-027-22-X	848	1198	220	150	59.0	88.0	0.2996

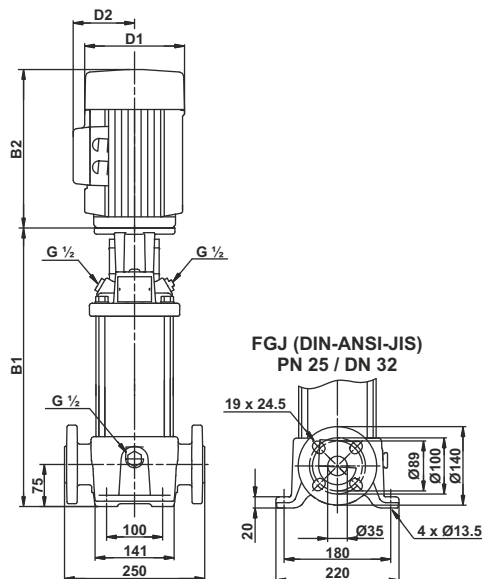


VERTICAL MULTI-STAGE PUMPS

NV-C-030

DIMENSIONS

Pump type	Dimensions [mm]					Net weight [kg]	Gross weight [kg]	Gross volume [m ³]
	DIN flange		D1	D2	D3			
	B1	B1+B2						
NV-C-030-02-X	279	492	143	106	-	23.0	33.0	0.1030
NV-C-030-03-X	306	519	143	106	-	24.0	34.0	0.1030
NV-C-030-04-X	333	546	143	106	-	25.0	35.0	0.1030
NV-C-030-05-X	366	630	160	113	-	27.0	41.0	0.1428
NV-C-030-06-X	393	657	160	113	-	30.0	44.0	0.1428
NV-C-030-07-X	420	684	160	113	-	30.0	44.0	0.1428
NV-C-030-08-X	447	711	160	113	-	31.0	45.0	0.1428
NV-C-030-09-X	490	768	165	130	-	38.0	52.0	0.1428
NV-C-030-10-X	517	795	165	130	-	39.0	53.0	0.1428
NV-C-030-11-X	544	822	165	130	-	40.0	54.0	0.1428
NV-C-030-12-X	571	849	165	130	-	41.0	59.0	0.1825
NV-C-030-13-X	598	876	165	130	-	41.0	59.0	0.1825
NV-C-030-14-X	625	903	165	130	-	42.0	60.0	0.1825
NV-C-030-15-X	652	930	165	130	-	43.0	61.0	0.1825
NV-C-030-16-X	679	957	165	130	-	43.0	61.0	0.1825
NV-C-030-18-X	737	1041	194	140	-	48.0	74.0	0.2650
NV-C-030-20-X	791	1095	194	140	-	50.0	79.0	0.2996
NV-C-030-22-X	845	1195	220	150	-	62.0	91.0	0.2996
NV-C-030-24-X	899	1249	220	150	-	63.0	97.0	0.3458
NV-C-030-26-X	953	1303	220	150	-	64.0	98.0	0.3458
NV-C-030-29-X	1034	1384	220	150	-	66.0	100.0	0.3458
NV-C-030-32-X	1145	1555	262	177	300	82.0	122.0	0.4035
NV-C-030-36-X	1253	1663	262	177	300	84.0	124.0	0.4035

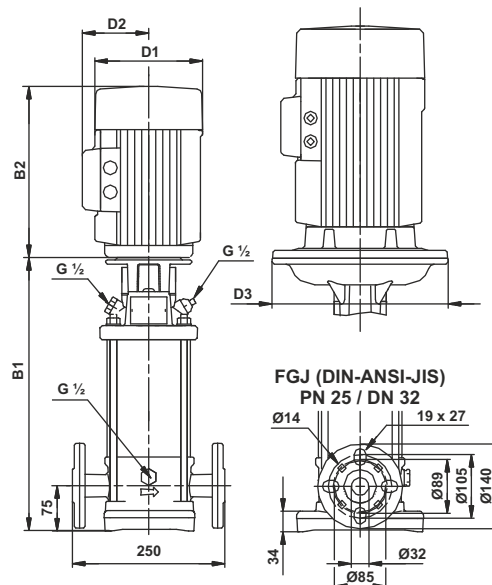


VERTICAL MULTI-STAGE PUMPS

NV-A,NV-B-030

DIMENSIONS

Pump type	Dimensions [mm]					Net weight [kg]	Gross weight [kg]	Gross volume [m ³]
	DIN flange		D1	D2	D3			
	B1	B1+B2						
NV-A,NV-B-030-02-X	282	495	143	106	-	21.0	31.0	0.1030
NV-A,NV-B-030-03-X	309	522	143	106	-	22.0	32.0	0.1030
NV-A,NV-B-030-04-X	336	549	143	106	-	22.0	32.0	0.1030
NV-A,NV-B-030-05-X	369	633	160	113	-	25.0	39.0	0.1428
NV-A,NV-B-030-06-X	396	660	160	113	-	28.0	42.0	0.1428
NV-A,NV-B-030-07-X	423	687	160	113	-	28.0	42.0	0.1428
NV-A,NV-B-030-08-X	450	714	160	113	-	29.0	43.0	0.1428
NV-A,NV-B-030-09-X	493	771	165	130	-	36.0	50.0	0.1428
NV-A,NV-B-030-10-X	520	798	165	130	-	37.0	51.0	0.1428
NV-A,NV-B-030-11-X	547	825	165	130	-	38.0	52.0	0.1428
NV-A,NV-B-030-12-X	574	852	165	130	-	38.0	56.0	0.1825
NV-A,NV-B-030-13-X	601	879	165	130	-	39.0	57.0	0.1825
NV-A,NV-B-030-14-X	628	906	165	130	-	40.0	58.0	0.1825
NV-A,NV-B-030-15-X	655	933	165	130	-	40.0	58.0	0.1825
NV-A,NV-B-030-16-X	682	960	165	130	-	41.0	59.0	0.1825
NV-A,NV-B-030-18-X	740	1044	194	140	-	46.0	72.0	0.2650
NV-A,NV-B-030-20-X	794	1098	194	140	-	47.0	76.0	0.2996
NV-A,NV-B-030-22-X	848	1198	220	150	-	59.0	88.0	0.2996
NV-A,NV-B-030-24-X	902	1252	220	150	-	61.0	95.0	0.3458
NV-A,NV-B-030-26-X	956	1306	220	150	-	62.0	96.0	0.3458
NV-A,NV-B-030-29-X	1037	1387	220	150	-	64.0	98.0	0.3458
NV-A,NV-B-030-32-X	1148	1558	262	177	300	79.0	119.0	0.4035
NV-A,NV-B-030-36-X	1256	1666	262	177	300	81.0	121.0	0.4035

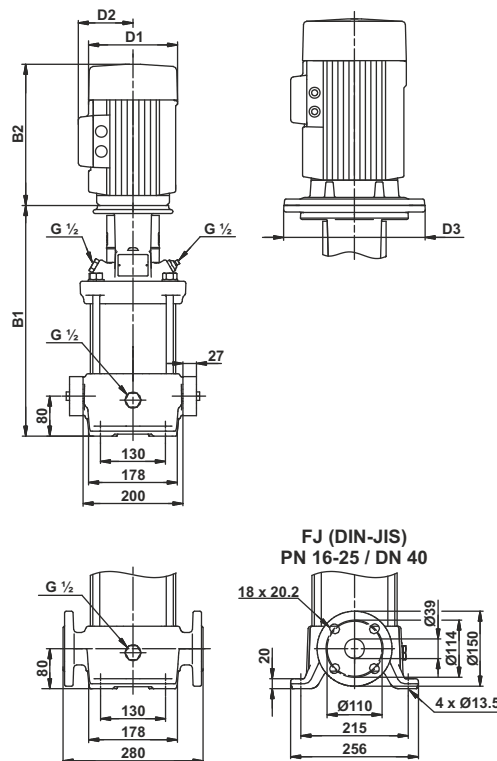


VERTICAL MULTI-STAGE PUMPS

NV-C-055

DIMENSIONS

Pump type	Dimensions [mm]					Net weight [kg]	Gross weight [kg]	Gross volume [m ³]
	DIN flange		D1	D2	D3			
	B1	B1+B2						
NV-C-055-01-X	343	556	143	106	-	34.0	48.0	0.1428
NV-C-055-02-X	347	611	160	113	-	36.0	50.0	0.1428
NV-C-055-03-X	377	641	160	113	-	39.0	53.0	0.1428
NV-C-055-04-X	423	701	165	130	-	47.0	61.0	0.1428
NV-C-055-05-X	453	731	165	130	-	49.0	63.0	0.1428
NV-C-055-06-X	483	761	165	130	-	50.0	64.0	0.1428
NV-C-055-07-X	518	822	194	140	-	55.0	81.0	0.2650
NV-C-055-08-X	548	852	194	140	-	56.0	82.0	0.2650
NV-C-055-09-X	578	882	194	140	-	57.0	83.0	0.2650
NV-C-055-10-X	608	958	220	150	-	69.0	95.0	0.2650
NV-C-055-12-X	668	1018	220	150	-	71.0	97.0	0.2650
NV-C-055-14-X	760	1170	262	177	300	94.0	123.0	0.2996
NV-C-055-16-X	820	1230	262	177	300	96.0	130.0	0.3458
NV-C-055-18-X	880	1290	262	177	300	101.0	135.0	0.3458
NV-C-055-20-X	940	1350	262	177	300	103.0	137.0	0.3458
NV-C-055-22-X	1000	1410	262	177	300	105.0	139.0	0.3458

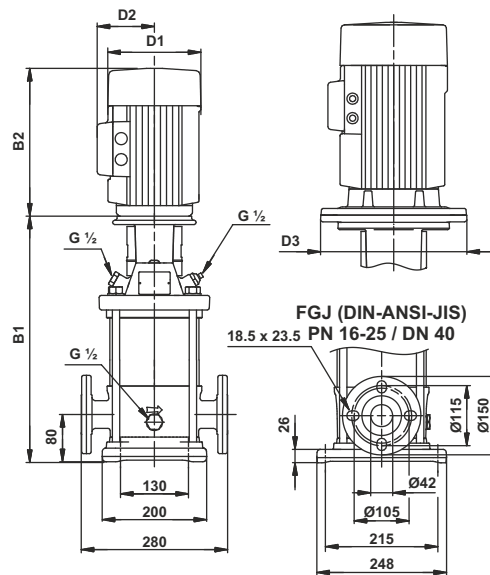


VERTICAL MULTI-STAGE PUMPS

NV-A,NV-B-055

DIMENSIONS

Pump type	Dimensions [mm]					Net weight [kg]	Gross weight [kg]	Gross volume [m ³]
	DIN flange		D1	D2	D3			
	B1	B1+B2						
NV-A,NV-B-055-01-X	353	566	143	106	-	32.0	46.0	0.1428
NV-A,NV-B-055-02-X	357	621	160	113	-	34.0	48.0	0.1428
NV-A,NV-B-055-03-X	387	651	160	113	-	38.0	52.0	0.1428
NV-A,NV-B-055-04-X	433	711	165	130	-	46.0	60.0	0.1428
NV-A,NV-B-055-05-X	463	741	165	130	-	47.0	61.0	0.1428
NV-A,NV-B-055-06-X	493	771	165	130	-	48.0	62.0	0.1428
NV-A,NV-B-055-07-X	528	832	194	140	-	54.0	80.0	0.2650
NV-A,NV-B-055-08-X	558	862	194	140	-	55.0	81.0	0.2650
NV-A,NV-B-055-09-X	588	892	194	140	-	56.0	82.0	0.2650
NV-A,NV-B-055-10-X	618	968	220	150	-	68.0	94.0	0.2650
NV-A,NV-B-055-12-X	678	1028	220	150	-	70.0	96.0	0.2650
NV-A,NV-B-055-14-X	770	1180	262	177	300	92.0	121.0	0.2996
NV-A,NV-B-055-16-X	830	1240	262	177	300	94.0	128.0	0.3458
NV-A,NV-B-055-18-X	890	1300	262	177	300	99.0	133.0	0.3458
NV-A,NV-B-055-20-X	950	1360	262	177	300	101.0	135.0	0.3458
NV-A,NV-B-055-22-X	1010	1420	262	177	300	104.0	138.0	0.3458

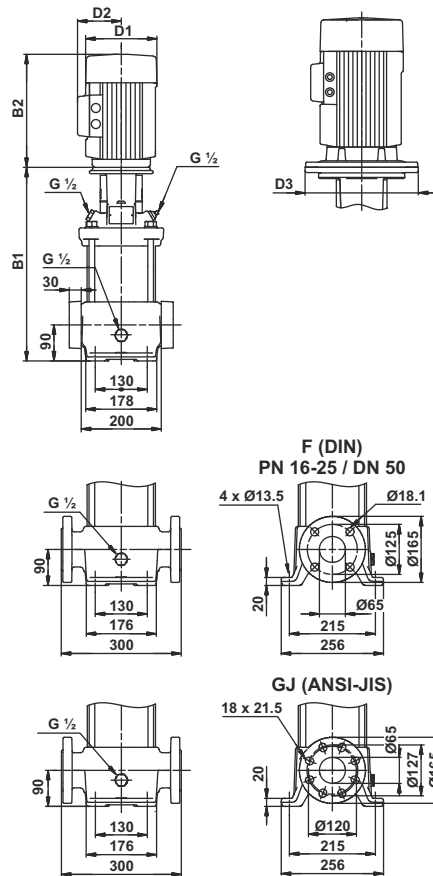


VERTICAL MULTI-STAGE PUMPS

NV-C-095

DIMENSIONS

Pump type	Dimensions [mm]					Net weight [kg]	Gross weight [kg]	Gross volume [m ³]
	DIN flange		D1	D2	D3			
	B1	B1+B2						
NV-C-095-01-X	400	664	160	113	-	42.0	56.0	0.1428
NV-C-095-02-X	415	693	165	130	-	50.0	64.0	0.1428
NV-C-095-03-X	465	769	194	140	-	55.0	81.0	0.2650
NV-C-095-04-X	510	860	220	150	-	68.0	94.0	0.2650
NV-C-095-05-X	555	905	220	150	-	69.0	95.0	0.2650
NV-C-095-06-X	632	1042	262	177	300	91.0	117.0	0.2650
NV-C-095-07-X	677	1087	262	177	300	93.0	122.0	0.2996
NV-C-095-08-X	722	1132	262	177	300	97.0	126.0	0.2996
NV-C-095-09-X	767	1177	262	177	300	98.0	127.0	0.2996
NV-C-095-10-X	889	1431	304	225	350	130.0	176.0	0.4671
NV-C-095-12-X	979	1521	304	225	350	134.0	187.0	0.5402
NV-C-095-14-X	1069	1611	304	225	350	138.0	191.0	0.5402
NV-C-095-17-X	1204	1746	304	225	350	157.0	210.0	0.5402

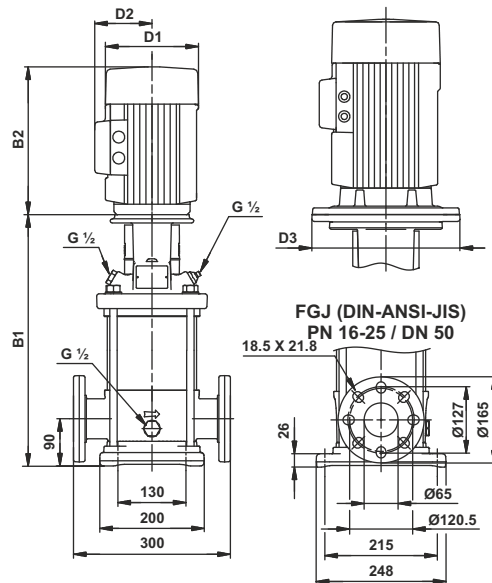


VERTICAL MULTI-STAGE PUMPS

NV-A,NV-B-095

DIMENSIONS

Pump type	Dimensions [mm]					Net weight [kg]	Gross weight [kg]	Gross volume [m ³]
	DIN flange		D1	D2	D3			
	B1	B1+B2						
NV-A,NV-B-095-01-X	400	664	160	113	-	42.0	56.0	0.1428
NV-A,NV-B-095-02-X	415	693	165	130	-	50.0	64.0	0.1428
NV-A,NV-B-095-03-X	465	769	194	140	-	55.0	81.0	0.2650
NV-A,NV-B-095-04-X	510	860	220	150	-	68.0	94.0	0.2650
NV-A,NV-B-095-05-X	555	905	220	150	-	69.0	95.0	0.2650
NV-A,NV-B-095-06-X	632	1042	262	177	300	91.0	117.0	0.2650
NV-A,NV-B-095-07-X	677	1087	262	177	300	93.0	122.0	0.2996
NV-A,NV-B-095-08-X	722	1132	262	177	300	97.0	126.0	0.2996
NV-A,NV-B-095-09-X	767	1177	262	177	300	98.0	127.0	0.2996
NV-A,NV-B-095-10-X	889	1431	304	225	350	130.0	176.0	0.4671
NV-A,NV-B-095-12-X	979	1521	304	225	350	134.0	187.0	0.5402
NV-A,NV-B-095-14-X	1069	1611	304	225	350	138.0	191.0	0.5402
NV-A,NV-B-095-17-X	1204	1746	304	225	350	157.0	210.0	0.5402
NV-A,NV-B-095-20-X	1339	1881	304	225	350	170.0	220.0	0.5402

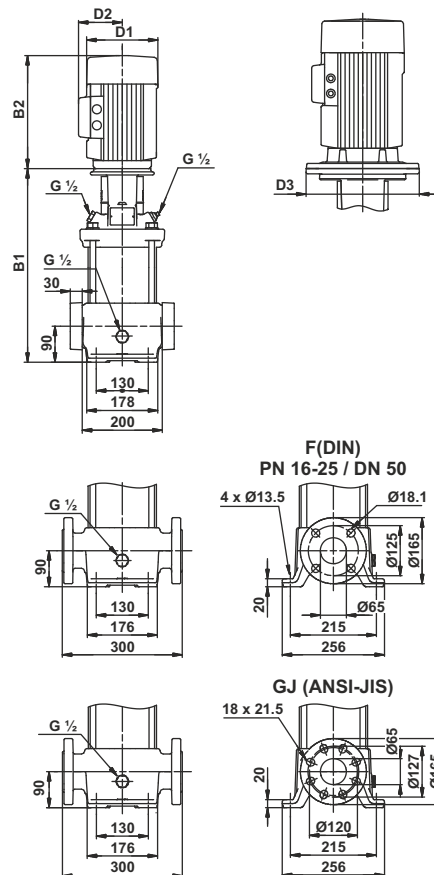


VERTICAL MULTI-STAGE PUMPS

NV-C-110

DIMENSIONS

Pump type	Dimensions [mm]					Net weight [kg]	Gross weight [kg]	Gross volume [m ³]
	DIN flange		D1	D2	D3			
	B1	B1+B2						
NV-C-110-01-X	400	664	160	113	-	42.0	56.0	0.1428
NV-C-110-02-X	415	693	165	130	-	50.0	64.0	0.1428
NV-C-110-03-X	465	815	220	150	-	66.0	92.0	0.2650
NV-C-110-04-X	542	952	262	177	300	88.0	114.0	0.2650
NV-C-110-05-X	587	997	262	177	300	90.0	116.0	0.2650
NV-C-110-06-X	632	1042	262	177	300	93.0	119.0	0.2650
NV-C-110-07-X	677	1087	262	177	300	95.0	124.0	0.2996
NV-C-110-08-X	799	1341	304	225	350	127.0	173.0	0.4671
NV-C-110-10-X	889	1431	304	225	350	130.0	176.0	0.4671
NV-C-110-12-X	979	1521	304	225	350	148.0	201.0	0.5402
NV-C-110-14-X	1069	1611	304	225	350	152.0	205.0	0.5402
NV-C-110-17-X	1204	1746	304	225	350	187.0	240.0	0.5402

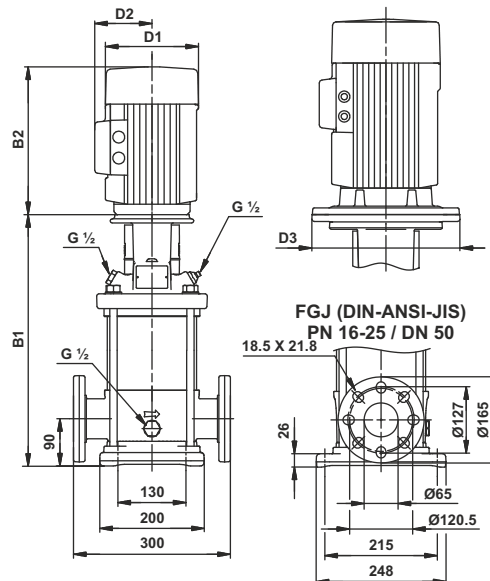


VERTICAL MULTI-STAGE PUMPS

NV-A,NV-B-110

DIMENSIONS

Pump type	Dimensions [mm]					Net weight [kg]	Gross weight [kg]	Gross volume [m ³]
	DIN flange		D1	D2	D3			
	B1	B1+B2						
NV-A,NV-B-110-01-X	397	661	160	113	-	39.0	53.0	0.1428
NV-A,NV-B-110-02-X	413	691	165	130	-	47.0	61.0	0.1428
NV-A,NV-B-110-03-X	463	813	220	150	-	63.0	89.0	0.2650
NV-A,NV-B-110-04-X	540	950	262	177	300	85.0	111.0	0.2650
NV-A,NV-B-110-05-X	585	995	262	177	300	87.0	113.0	0.2650
NV-A,NV-B-110-06-X	630	1040	262	177	300	90.0	116.0	0.2650
NV-A,NV-B-110-07-X	675	1085	262	177	300	92.0	121.0	0.2996
NV-A,NV-B-110-08-X	797	1339	304	225	350	123.0	169.0	0.4671
NV-A,NV-B-110-10-X	887	1429	304	225	350	127.0	173.0	0.4671
NV-A,NV-B-110-12-X	977	1519	304	225	350	145.0	198.0	0.5402
NV-A,NV-B-110-14-X	1067	1609	304	225	350	148.0	201.0	0.5402
NV-A,NV-B-110-17-X	1202	1744	304	225	350	183.0	236.0	0.5402

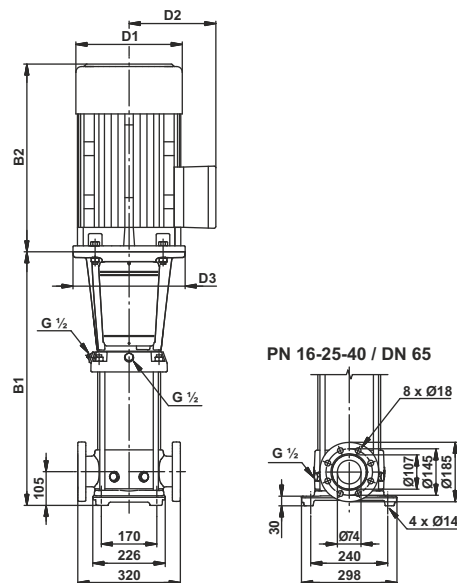


VERTICAL MULTI-STAGE PUMPS

NV-C-140

DIMENSIONS

Pump type	Dimensions [mm]					Net weight [kg]	Gross weight [kg]	Gross volume [m ³]
	DIN flange		D1	D2	D3			
	B1	B1+B2						
NV-C-140-01-1	505	783	165	130	135	61.0	119.0	0.3745
NV-C-140-01-X	505	783	165	130	135	62.0	120.0	0.3745
NV-C-140-02-2	575	879	194	140	-	76.0	134.0	0.3745
NV-C-140-02-X	575	925	220	150	158	87.0	145.0	0.3745
NV-C-140-03-2	645	1055	262	177	298	107.0	165.0	0.3745
NV-C-140-03-X	645	1055	262	177	298	107.0	165.0	0.3745
NV-C-140-04-2	715	1125	262	177	298	117.0	175.0	0.3745
NV-C-140-04-X	715	1125	262	177	298	117.0	175.0	0.3745
NV-C-140-05-2	895	1437	304	225	350	155.0	225.0	0.4495
NV-C-140-05-X	895	1437	304	225	350	155.0	225.0	0.4495
NV-C-140-06-2	965	1507	304	225	350	158.0	228.0	0.4495
NV-C-140-06-X	965	1507	304	225	350	158.0	228.0	0.4495
NV-C-140-07-2	1035	1577	304	225	350	175.0	245.0	0.4495
NV-C-140-07-X	1035	1577	304	225	350	175.0	245.0	0.4495
NV-C-140-08-2	1105	1647	304	225	350	178.0	248.0	0.4495
NV-C-140-08-X	1105	1647	304	225	350	178.0	248.0	0.4495
NV-C-140-09-2	1175	1717	304	225	350	211.0	294.0	0.5370
NV-C-140-09-X	1175	1717	304	225	350	211.0	294.0	0.5370
NV-C-140-10-2	1245	1787	304	225	350	214.0	297.0	0.5370
NV-C-140-10-X	1245	1787	304	225	350	214.0	297.0	0.5370
NV-C-140-11-2	1315	1925	363	262	350	250.0	333.0	0.5370
NV-C-140-11-X	1315	1925	363	262	350	250.0	333.0	0.5370
NV-C-140-12-2	1385	1995	363	262	350	254.0	337.0	0.5370
NV-C-140-12-X	1385	1995	363	262	350	254.0	337.0	0.5370
NV-C-140-13-2	1455	2101	415	300	400	322.0	419.0	0.6245
NV-C-140-13-X	1455	2101	415	300	400	322.0	419.0	0.6245
NV-C-140-14-2	1525	2171	415	300	400	325.0	422.0	0.6245
NV-C-140-14-X	1525	2171	415	300	400	325.0	422.0	0.6245

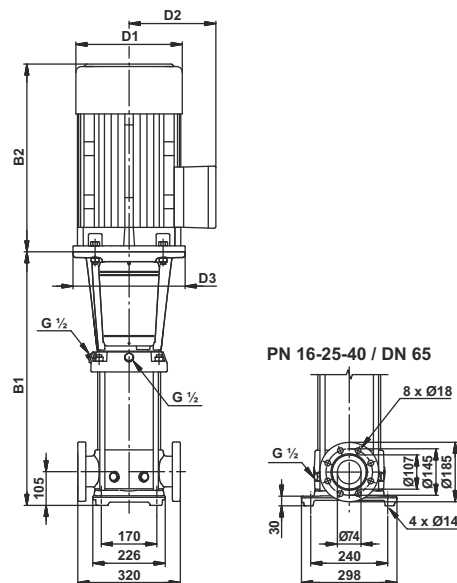


VERTICAL MULTI-STAGE PUMPS

NV-A,NV-B-140

DIMENSIONS

Pump type	Dimensions [mm]					Net weight [kg]	Gross weight [kg]	Gross volume [m ³]
	DIN flange		D1	D2	D3			
	B1	B1+B2						
NV-A,NV-B-140-01-1	505	783	165	130	135	61.0	119.0	0.3745
NV-A,NV-B-140-01-X	505	783	165	130	135	62.0	120.0	0.3745
NV-A,NV-B-140-02-2	575	879	194	140	-	76.0	134.0	0.3745
NV-A,NV-B-140-02-X	575	925	220	150	158	87.0	145.0	0.3745
NV-A,NV-B-140-03-2	645	1055	262	177	298	107.0	165.0	0.3745
NV-A,NV-B-140-03-X	645	1055	262	177	298	107.0	165.0	0.3745
NV-A,NV-B-140-04-2	715	1125	262	177	298	117.0	175.0	0.3745
NV-A,NV-B-140-04-X	715	1125	262	177	298	117.0	175.0	0.3745
NV-A,NV-B-140-05-2	895	1437	304	225	350	155.0	225.0	0.4495
NV-A,NV-B-140-05-X	895	1437	304	225	350	155.0	225.0	0.4495
NV-A,NV-B-140-06-2	965	1507	304	225	350	158.0	228.0	0.4495
NV-A,NV-B-140-06-X	965	1507	304	225	350	158.0	228.0	0.4495
NV-A,NV-B-140-07-2	1035	1577	304	225	350	175.0	245.0	0.4495
NV-A,NV-B-140-07-X	1035	1577	304	225	350	175.0	245.0	0.4495
NV-A,NV-B-140-08-2	1105	1647	304	225	350	178.0	248.0	0.4495
NV-A,NV-B-140-08-X	1105	1647	304	225	350	178.0	248.0	0.4495
NV-A,NV-B-140-09-2	1175	1717	304	225	350	211.0	294.0	0.5370
NV-A,NV-B-140-09-X	1175	1717	304	225	350	211.0	294.0	0.5370
NV-A,NV-B-140-10-2	1245	1787	304	225	350	214.0	297.0	0.5370
NV-A,NV-B-140-10-X	1245	1787	304	225	350	214.0	297.0	0.5370
NV-A,NV-B-140-11-2	1315	1925	363	262	350	250.0	333.0	0.5370
NV-A,NV-B-140-11-X	1315	1925	363	262	350	250.0	333.0	0.5370
NV-A,NV-B-140-12-2	1385	1995	363	262	350	254.0	337.0	0.5370
NV-A,NV-B-140-12-X	1385	1995	363	262	350	254.0	337.0	0.5370
NV-A,NV-B-140-13-2	1455	2101	415	300	400	322.0	419.0	0.6245
NV-A,NV-B-140-13-X	1455	2101	415	300	400	322.0	419.0	0.6245
NV-A,NV-B-140-14-2	1525	2171	415	300	400	325.0	422.0	0.6245
NV-A,NV-B-140-14-X	1525	2171	415	300	400	325.0	422.0	0.6245

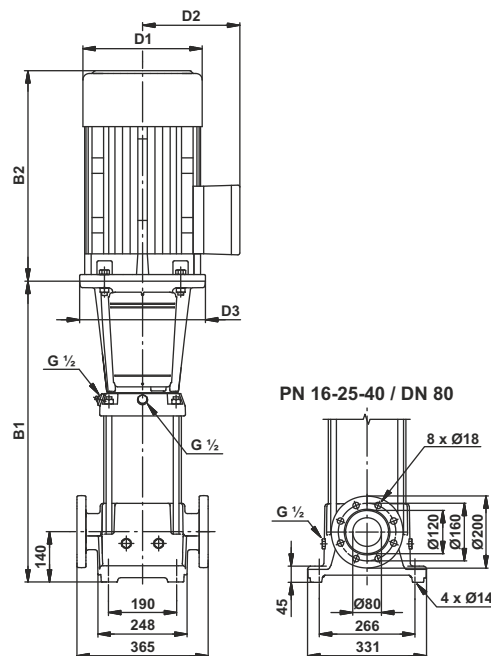


VERTICAL MULTI-STAGE PUMPS

NV-C-220

DIMENSIONS

Pump type	Dimensions [mm]					Net weight [kg]	Gross weight [kg]	Gross volume [m ³]
	DIN flange		D1	D2	D3			
	B1	B1+B2						
NV-C-220-01-1	559	863	194	140	-	80.0	138.0	0.3745
NV-C-220-01-X	559	909	220	150	158	91.0	149.0	0.3745
NV-C-220-02-2	639	1049	262	177	298	108.0	166.0	0.3745
NV-C-220-02-1	639	1049	262	177	298	110.0	168.0	0.3745
NV-C-220-03-2	829	1371	304	225	350	149.0	207.0	0.3745
NV-C-220-03-X	829	1371	304	225	350	149.0	219.0	0.4495
NV-C-220-04-2	909	1451	304	225	350	169.0	239.0	0.4495
NV-C-220-04-X	909	1451	304	225	350	169.0	239.0	0.4495
NV-C-220-05-2	989	1531	304	225	350	204.0	274.0	0.4495
NV-C-220-05-X	989	1531	304	225	350	204.0	274.0	0.4495
NV-C-220-06-2	1069	1679	363	262	350	240.0	310.0	0.4495
NV-C-220-06-X	1069	1679	363	262	350	240.0	310.0	0.4495
NV-C-220-07-2	1149	1795	415	300	400	321.0	404.0	0.5370
NV-C-220-07-X	1149	1795	415	300	400	321.0	404.0	0.5370
NV-C-220-08-2	1229	1875	415	300	400	336.0	419.0	0.5370
NV-C-220-08-X	1229	1875	415	300	400	336.0	419.0	0.5370
NV-C-220-09-2	1309	1955	415	300	400	341.0	424.0	0.5370
NV-C-220-09-X	1309	2012	415	300	400	361.0	444.0	0.5370
NV-C-220-10-2	1389	2092	415	300	400	366.0	463.0	0.6245
NV-C-220-10-X	1389	2092	415	300	400	366.0	463.0	0.6245
NV-C-220-11-2	1469	2178	442	325	450	478.0	575.0	0.6245
NV-C-220-11-X	1469	2178	442	325	450	478.0	575.0	0.6245
NV-C-220-12-2	1549	2258	442	325	450	483.0	580.0	0.6245
NV-C-220-12-X	1549	2258	442	325	450	483.0	580.0	0.6245
NV-C-220-13-2	1629	2338	442	325	450	488.0	585.0	0.6245

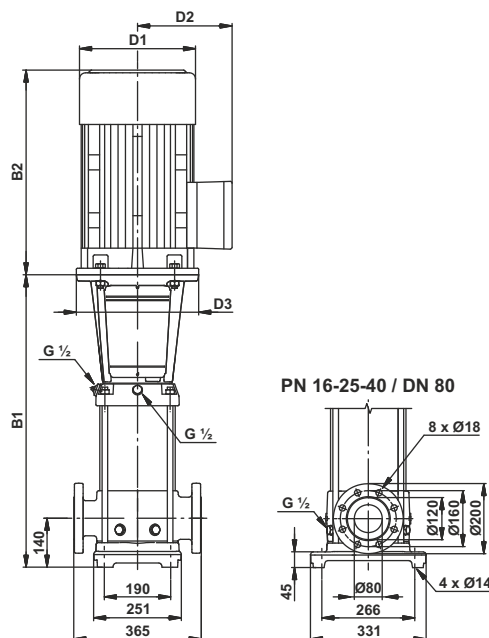


VERTICAL MULTI-STAGE PUMPS

NV-A,NV-B-220

DIMENSIONS

Pump type	Dimensions [mm]					Net weight [kg]	Gross weight [kg]	Gross volume [m ³]
	DIN flange		D1	D2	D3			
	B1	B1+B2						
NV-A,NV-B-220-01-1	559	863	194	140	-	80.0	138.0	0.3745
NV-A,NV-B-220-01-X	559	909	220	150	158	91.0	149.0	0.3745
NV-A,NV-B-220-02-2	639	1049	262	177	298	108.0	166.0	0.3745
NV-A,NV-B-220-02-1	639	1049	262	177	300	110.0	168.0	0.3745
NV-A,NV-B-220-03-2	829	1371	304	225	350	149.0	207.0	0.3745
NV-A,NV-B-220-03-X	829	1371	304	225	350	149.0	219.0	0.4495
NV-A,NV-B-220-04-2	909	1451	304	225	350	169.0	239.0	0.4495
NV-A,NV-B-220-04-X	909	1451	304	225	350	169.0	239.0	0.4495
NV-A,NV-B-220-05-2	989	1531	304	225	350	204.0	274.0	0.4495
NV-A,NV-B-220-05-X	989	1531	304	225	350	204.0	274.0	0.4495
NV-A,NV-B-220-06-2	1069	1679	363	262	350	240.0	310.0	0.4495
NV-A,NV-B-220-06-X	1069	1679	363	262	350	240.0	310.0	0.4495
NV-A,NV-B-220-07-2	1149	1795	415	300	400	321.0	404.0	0.5370
NV-A,NV-B-220-07-X	1149	1795	415	300	400	321.0	404.0	0.5370
NV-A,NV-B-220-08-2	1229	1875	415	300	400	336.0	419.0	0.5370
NV-A,NV-B-220-08-X	1229	1875	415	300	400	336.0	419.0	0.5370
NV-A,NV-B-220-09-2	1309	1955	415	300	400	341.0	424.0	0.5370
NV-A,NV-B-220-09-X	1309	2012	415	300	400	361.0	444.0	0.5370
NV-A,NV-B-220-10-2	1389	2092	415	300	400	366.0	463.0	0.6245
NV-A,NV-B-220-10-X	1389	2092	415	300	400	366.0	463.0	0.6245
NV-A,NV-B-220-11-2	1469	2178	442	325	450	478.0	575.0	0.6245
NV-A,NV-B-220-11-X	1469	2178	442	325	450	478.0	575.0	0.6245
NV-A,NV-B-220-12-2	1549	2258	442	325	450	483.0	580.0	0.6245
NV-A,NV-B-220-12-X	1549	2258	442	325	450	483.0	580.0	0.6245
NV-A,NV-B-220-13-2	1629	2338	442	325	450	488.0	585.0	0.6245

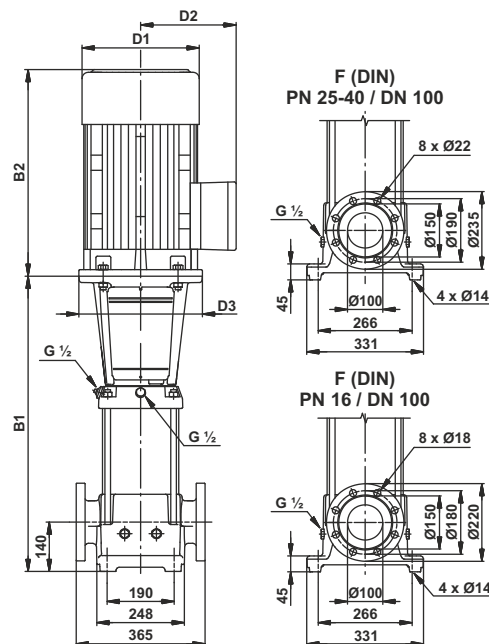


VERTICAL MULTI-STAGE PUMPS

NV-C-340

DIMENSIONS

Pump type	Dimensions [mm]					Net weight [kg]	Gross weight [kg]	Gross volume [m ³]
	DIN flange		D1	D2	D3			
	B1	B1+B2						
NV-C-340-01-1	561	911	220	150	158	91.0	149.0	0.3745
NV-C-340-01-X	561	971	262	177	298	102.0	160.0	0.3745
NV-C-340-02-2	644	1054	262	177	298	114.0	172.0	0.3745
NV-C-340-02-1	754	1296	304	225	350	149.0	207.0	0.3745
NV-C-340-02-X	754	1296	304	225	350	149.0	207.0	0.3745
NV-C-340-03-2	836	1378	304	225	350	174.0	232.0	0.3745
NV-C-340-03-1	836	1378	304	225	350	174.0	232.0	0.3745
NV-C-340-03-X	836	1378	304	225	350	204.0	262.0	0.3745
NV-C-340-04-2	919	1461	304	225	350	214.0	284.0	0.4495
NV-C-340-04-1	919	1529	363	262	350	245.0	315.0	0.4495
NV-C-340-04-X	919	1529	363	262	350	245.0	315.0	0.4495
NV-C-340-05-2	1001	1647	415	300	400	316.0	386.0	0.4495
NV-C-340-05-1	1001	1647	415	300	400	316.0	386.0	0.4495
NV-C-340-05-X	1001	1647	415	300	400	316.0	386.0	0.4495
NV-C-340-06-2	1084	1730	415	300	400	336.0	419.0	0.5370
NV-C-340-06-1	1084	1787	415	300	400	356.0	439.0	0.5370
NV-C-340-06-X	1084	1787	415	300	400	356.0	439.0	0.5370
NV-C-340-07-2	1166	1869	415	300	400	376.0	459.0	0.5370
NV-C-340-07-1	1166	1869	415	300	400	376.0	459.0	0.5370
NV-C-340-07-X	1166	1875	442	325	450	440.0	523.0	0.5370
NV-C-340-08-2	1249	1958	442	325	450	473.0	556.0	0.5370
NV-C-340-08-1	1249	1958	442	325	450	473.0	556.0	0.5370

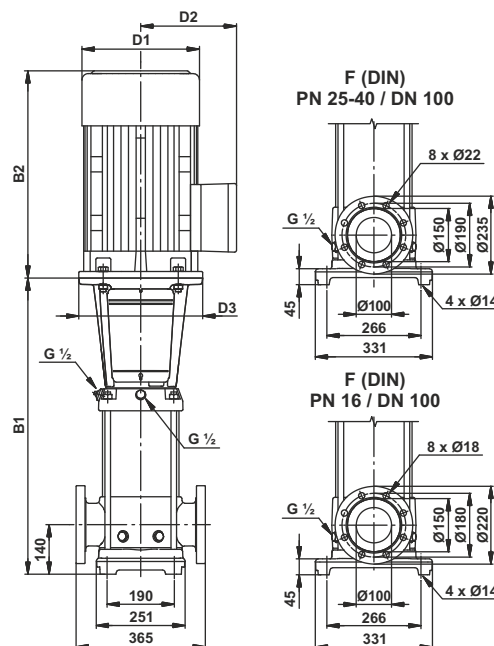


VERTICAL MULTI-STAGE PUMPS

NV-A,NV-B-340

DIMENSIONS

Pump type	Dimensions [mm]					Net weight [kg]	Gross weight [kg]	Gross volume [m ³]
	DIN flange		D1	D2	D3			
	B1	B1+B2						
NV-A,NV-B-340-01-1	561	911	220	150	158	91.0	149.0	0.3745
NV-A,NV-B-340-01-X	561	971	262	177	298	102.0	160.0	0.3745
NV-A,NV-B-340-02-2	644	1054	262	177	298	114.0	172.0	0.3745
NV-A,NV-B-340-02-1	754	1296	304	225	350	149.0	207.0	0.3745
NV-A,NV-B-340-02-X	754	1296	304	225	350	149.0	207.0	0.3745
NV-A,NV-B-340-03-2	836	1378	304	225	350	174.0	232.0	0.3745
NV-A,NV-B-340-03-1	836	1378	304	225	350	174.0	232.0	0.3745
NV-A,NV-B-340-03-X	836	1378	304	225	350	204.0	262.0	0.3745
NV-A,NV-B-340-04-2	919	1461	304	225	350	214.0	284.0	0.4495
NV-A,NV-B-340-04-1	919	1529	363	262	350	245.0	315.0	0.4495
NV-A,NV-B-340-04-X	919	1529	363	262	350	245.0	315.0	0.4495
NV-A,NV-B-340-05-2	1001	1647	415	300	400	316.0	386.0	0.4495
NV-A,NV-B-340-05-1	1001	1647	415	300	400	316.0	386.0	0.4495
NV-A,NV-B-340-05-X	1001	1647	415	300	400	316.0	386.0	0.4495
NV-A,NV-B-340-06-2	1084	1730	415	300	400	336.0	419.0	0.5370
NV-A,NV-B-340-06-1	1084	1787	415	300	400	356.0	439.0	0.5370
NV-A,NV-B-340-06-X	1084	1787	415	300	400	356.0	439.0	0.5370
NV-A,NV-B-340-07-2	1166	1869	415	300	400	376.0	459.0	0.5370
NV-A,NV-B-340-07-1	1166	1869	415	300	400	376.0	459.0	0.5370
NV-A,NV-B-340-07-X	1166	1875	442	325	450	440.0	523.0	0.5370
NV-A,NV-B-340-08-2	1249	1958	442	325	450	473.0	556.0	0.5370
NV-A,NV-B-340-08-1	1249	1958	442	325	450	473.0	556.0	0.5370

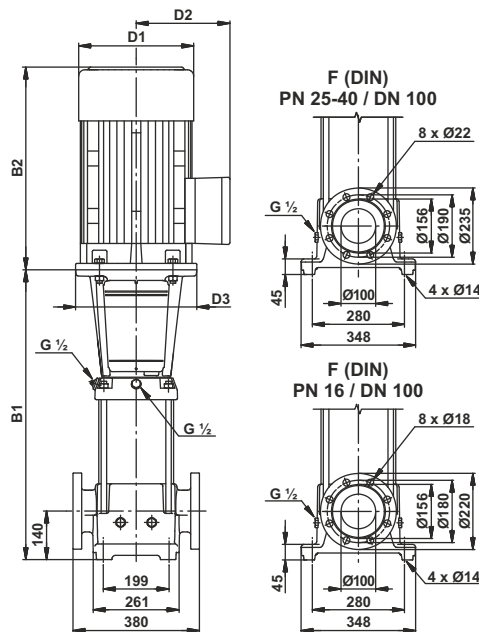


VERTICAL MULTI-STAGE PUMPS

NV-C-450

DIMENSIONS

Pump type	Dimensions [mm]					Net weight [kg]	Gross weight [kg]	Gross volume [m ³]
	DIN flange		D1	D2	D3			
	B1	B1+B2						
NV-C-450-01-1	571	981	262	177	298	107.0	165.0	0.3745
NV-C-450-01-X	571	981	262	177	298	109.0	167.0	0.3745
NV-C-450-02-2	773	1315	304	225	350	150.0	208.0	0.3745
NV-C-450-02-X	773	1315	304	225	350	164.0	222.0	0.3745
NV-C-450-03-2	865	1407	304	225	350	214.0	284.0	0.4495
NV-C-450-03-X	865	1475	363	262	350	245.0	315.0	0.4495
NV-C-450-04-2	957	1603	415	300	400	326.0	396.0	0.4495
NV-C-450-04-X	957	1603	415	300	400	326.0	396.0	0.4495
NV-C-450-05-2	1049	1752	415	300	400	366.0	449.0	0.5370
NV-C-450-05-X	1049	1752	415	300	400	366.0	449.0	0.5370
NV-C-450-06-2	1141	1850	442	325	450	437.0	520.0	0.5370
NV-C-450-06-X	1141	1850	442	325	450	437.0	520.0	0.5370

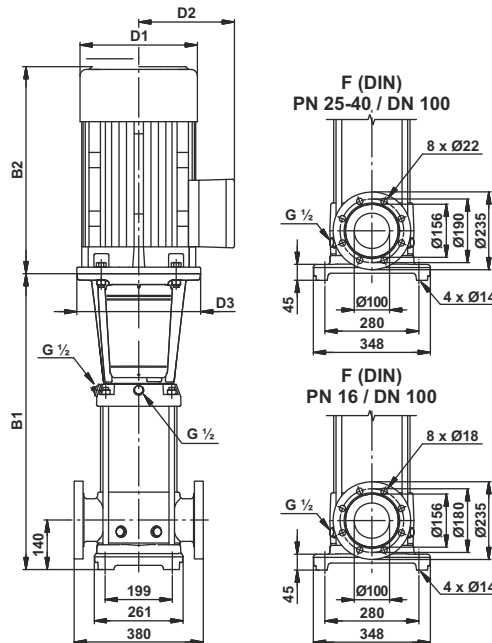


VERTICAL MULTI-STAGE PUMPS

NV-A,NV-B-450

DIMENSIONS

Pump type	Dimensions [mm]					Net weight [kg]	Gross weight [kg]	Gross volume [m ³]
	DIN flange		D1	D2	D3			
	B1	B1+B2						
NV-A,NV-B-450-01-1	571	981	262	177	298	107.0	165.0	0.3745
NV-A,NV-B-450-01-X	571	981	262	177	298	109.0	167.0	0.3745
NV-A,NV-B-450-02-2	773	1315	304	225	350	150.0	208.0	0.3745
NV-A,NV-B-450-02-X	773	1315	304	225	350	164.0	222.0	0.3745
NV-A,NV-B-450-03-2	865	1407	304	225	350	214.0	284.0	0.4495
NV-A,NV-B-450-03-X	865	1475	363	262	350	245.0	315.0	0.4495
NV-A,NV-B-450-04-2	957	1603	415	300	400	326.0	396.0	0.4495
NV-A,NV-B-450-04-X	957	1603	415	300	400	326.0	396.0	0.4495
NV-A,NV-B-450-05-2	1049	1752	415	300	400	366.0	449.0	0.5370
NV-A,NV-B-450-05-X	1049	1752	415	300	400	366.0	449.0	0.5370
NV-A,NV-B-450-06-2	1141	1850	442	325	450	437.0	520.0	0.5370
NV-A,NV-B-450-06-X	1141	1850	442	325	450	437.0	520.0	0.5370

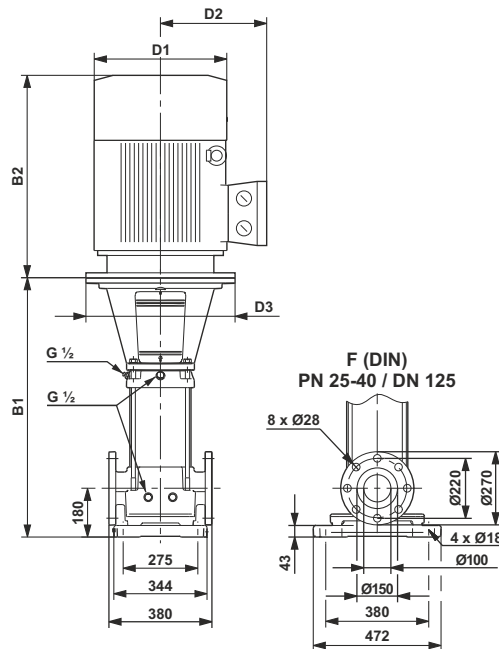


VERTICAL MULTI-STAGE PUMPS

NV-C-600

DIMENSIONS

Pump type	Dimensions [mm]					Net weight [kg]	Gross weight [kg]	Gross volume [m ³]
	DIN flange		D1	D2	D3			
	B1	B1+B2						
NV-C-600-01-1	834	1376	304	225	350	191.0	291.0	0.2787
NV-C-600-02-1	990	1532	304	225	350	227.0	327.0	0.2787
NV-C-600-02-X	990	1600	363	262	350	240.0	360.0	0.5872
NV-C-600-03-X	1145	1791	415	300	400	368.0	488.0	0.5872
NV-C-600-04-1	1301	2004	415	300	400	392.0	512.0	0.5872
NV-C-600-05-1	1456	2165	442	325	450	487.0	627.0	1.3716
NV-C-600-06-1	1642	2440	493	414	550	627.0	767.0	1.3716
NV-C-600-07-X	1797	2682	548	445	550	741.0	881.0	1.3716

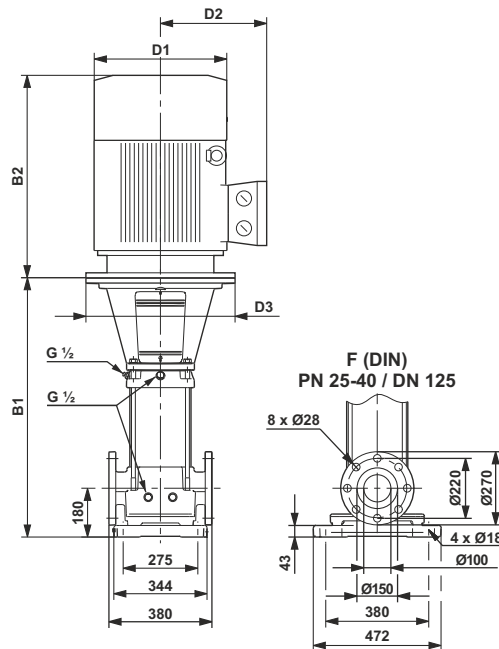


VERTICAL MULTI-STAGE PUMPS

NV-B-600

DIMENSIONS

Pump type	Dimensions [mm]					Net weight [kg]	Gross weight [kg]	Gross volume [m ³]
	DIN flange		D1	D2	D3			
	B1	B1+B2						
NV-B-600-01-1	834	1376	304	225	350	191.0	291.0	0.2787
NV-B-600-02-1	990	1532	304	225	350	227.0	327.0	0.2787
NV-B-600-02-X	990	1600	363	262	350	240.0	360.0	0.5872
NV-B-600-03-X	1145	1791	415	300	400	368.0	488.0	0.5872
NV-B-600-04-1	1301	2004	415	300	400	392.0	512.0	0.5872
NV-B-600-05-1	1456	2165	442	325	450	487.0	627.0	1.3716
NV-B-600-06-1	1642	2440	493	414	550	627.0	767.0	1.3716
NV-B-600-07-X	1797	2682	548	445	550	741.0	881.0	1.3716

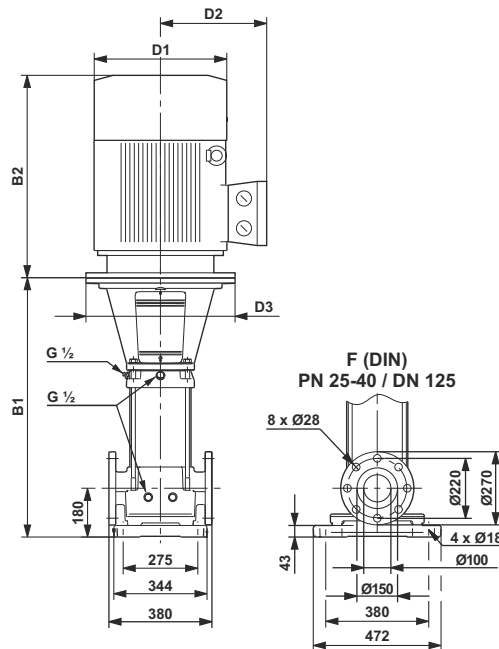


VERTICAL MULTI-STAGE PUMPS

NV-C-750

DIMENSIONS

Pump type	Dimensions [mm]					Net weight [kg]	Gross weight [kg]	Gross volume [m ³]
	DIN flange		D1	D2	D3			
	B1	B1+B2						
NV-C-750-01-1	834	1376	304	225	350	191.0	291.0	0.2787
NV-C-750-01-X	834	1376	304	225	350	204.0	304.0	0.2787
NV-C-750-02-1	990	1600	363	262	350	241.0	361.0	0.5872
NV-C-750-03-2	1145	1791	415	300	400	368.0	488.0	0.5872
NV-C-750-03-X	1145	2004	415	300	400	383.0	503.0	0.5872
NV-C-750-04-1	1301	2165	442	325	450	477.0	617.0	1.3716
NV-C-750-05-2	1486	2284	493	414	550	617.0	757.0	1.3716
NV-C-750-06-X	1642	2527	548	445	550	733.0	873.0	1.3716

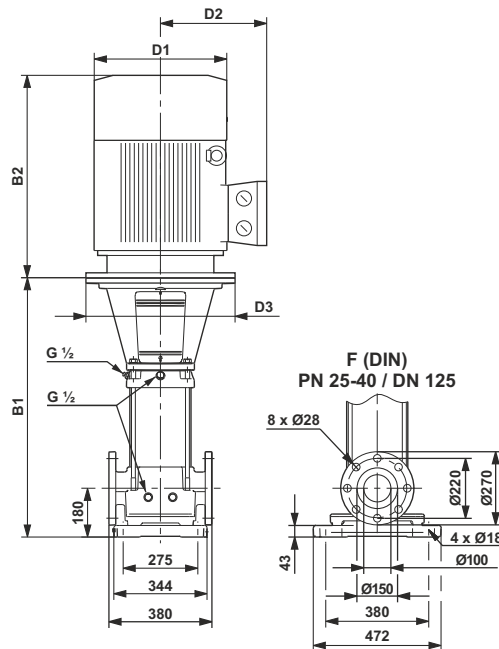


VERTICAL MULTI-STAGE PUMPS

NV-B-750

DIMENSIONS

Pump type	Dimensions [mm]					Net weight [kg]	Gross weight [kg]	Gross volume [m ³]
	DIN flange		D1	D2	D3			
	B1	B1+B2						
NV-B-750-01-1	834	1376	304	225	350	191.0	291.0	0.2787
NV-B-750-01-X	834	1376	304	225	350	204.0	304.0	0.2787
NV-B-750-02-1	990	1600	363	262	350	241.0	361.0	0.5872
NV-B-750-03-2	1145	1791	415	300	400	368.0	488.0	0.5872
NV-B-750-03-X	1145	2004	415	300	400	383.0	503.0	0.5872
NV-B-750-04-1	1301	2165	442	325	450	477.0	617.0	1.3716
NV-B-750-05-2	1486	2284	493	414	550	617.0	757.0	1.3716
NV-B-750-06-X	1642	2527	548	445	550	733.0	873.0	1.3716



This page is intentionally left blank.



Northam Inc.

995/C Griffin Pond Road, Clarks Summit, PA 18411, USA
Phone : +1-570-659-7200, Email : sales@northam-inc.com

Product Improvement and changes are a continuous process at 'Northam'. The data given in this publication is therefore subject to revision.