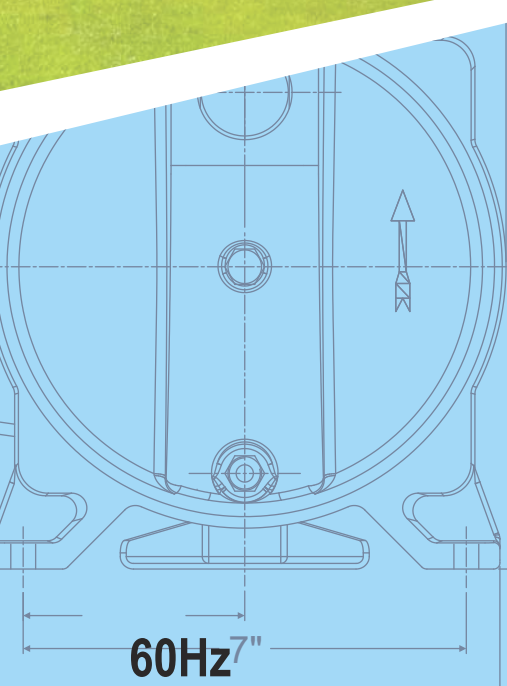


NJS SERIES



Shallow Well Jet Pumps

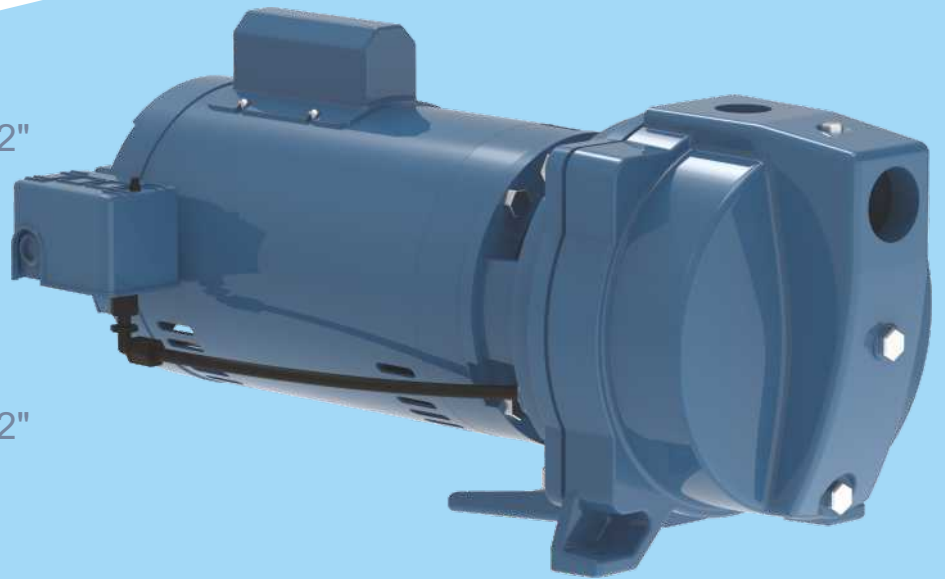
CAST IRON



4-1/2"

4-1/2"

60Hz 7"



PRODUCT CATALOGUE

www.northam-inc.com

SHALLOW WELL JET PUMPS

CAST IRON

GENERAL DATA

5 GPM to 75 GPM

FEATURES

- ▶ Compact design due to inbuilt motor adapter.
- ▶ Back pullout design allows disassembly of pump for service without disturbing piping during servicing.
- ▶ Corrosion resistant, engineered plastic tubing and fittings are easily repairable.
- ▶ Thermoplastic impeller, diffuser and tube fittings are made from abrasion resistant composite material. Stainless steel wear ring is provided in diffuser for extended performance in abrasive conditions.
- ▶ CED Coating of Grey Iron Parts for rust prevention and aesthetics.
- ▶ Cast iron casing has tapped openings for vacuum gauge and casing drain.
- ▶ Mechanical Seal with Carbon/Ceramic faces, BUNA elastomer and 300 series stainless steel metal parts.
- ▶ Pump design prevents the seal from running dry.

SPECIFICATIONS

Pump :

- ▶ Suction : 1-1/4" NPT.
- ▶ Discharge : 1" NPT.
- ▶ Pressure switch : Factory preset at 30-50 psi.

Motor :

- ▶ NEMA standard.
- ▶ 1/2 to 1-1/2 HP, 115/230 V.
- ▶ 60 Hz, 1 phase, ODP, 3450 rpm.
- ▶ Built-in overload protector with automatic reset.
- ▶ Stainless steel shaft.
- ▶ Rotation : clockwise when viewed from motor end.
- ▶ Maximum water temperature : 158°F.

OPERATING RANGE & CONDITIONS

Ratings	0.5 - 1.5 HP
Liquid temperature	+32 °F to +158 °F
Max. amb temprature	104°F

APPLICATIONS

- ▶ Cottages
- ▶ Booster service
- ▶ Homes

SHALLOW WELL JET PUMPS

CAST IRON

PERFORMANCE

5 GPM to 75 GPM

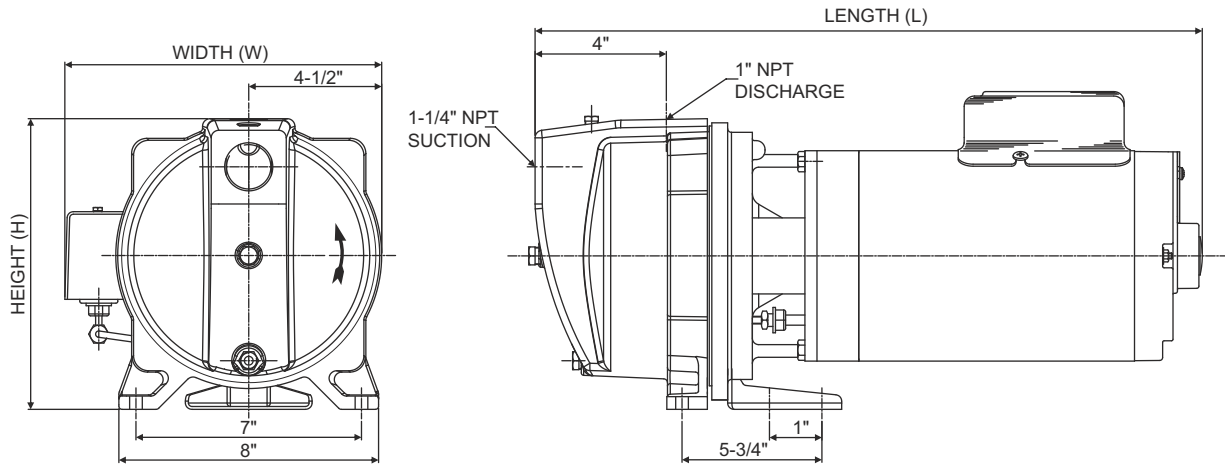
Model	HP	Total suction lift ft	Discharge pressure PSI					Max shut off PSI
			20	30	40	50	60	
NJS5	1/2	5	17.5	16.5	10.2	5.0	-	63
		10	15.7	14.4	9.2	4.3	-	61
		15	13.7	12.5	8.0	3.6	-	59
		20	11.5	10.4	7.1	2.3	-	57
		25	8.7	18.6	6.2	1.3	-	54
NJS5H	1/2	5	11.5	11.3	11.0	7.7	4.8	83
		10	10.3	10.0	9.6	7.0	4.2	81
		15	8.8	8.6	8.3	6.3	3.7	79
		20	7.0	7.0	6.8	5.8	3.2	76
		25	5.3	5.3	5.2	5.0	2.8	73
NJS7	3/4	5	-	21.3	18.3	12.5	6.6	70
		10	-	18.8	17.3	11.3	5.0	68
		15	-	16.4	15.5	9.6	3.7	66
		20	-	13.6	13.2	8.3	2.0	63
		25	-	10.0	9.9	6.4	1.0	59
NJS10	1	5	-	24.8	24.4	16.6	9.9	74
		10	-	22.9	22.2	15.8	8.6	72
		15	-	19.8	19.5	13.8	6.9	70
		20	-	16.6	16.6	12.2	5.6	67
		25	-	12.5	12.4	10.4	3.6	65
NJS15	1-1/2	5	-	26.6	26.3	25.0	15.6	80
		10	-	24.7	24.3	22.6	13.9	77
		15	-	21.6	21.5	20.4	12.9	75
		20	-	18.1	18.0	17.6	12.0	73
		25	-	14.0	14.0	14.0	10.1	71

Note : All flow are in GPM

NJS SERIES

SHALLOW WELL JET PUMPS

DIMENSIONS



Model	HP	Phase	LENGTH (L)	WIDTH (W)	HEIGHT (H)	Weight [lbs]
NJS5	1/2	1	18-1/2"	9-7/8"	8-3/4"	52
NJS5H	1/2	1	18-1/2"	9-7/8"	8-3/4"	52
NJS7	3/4	1	18-1/2"	9-7/8"	8-3/4"	54
NJS10	1	1	19-3/4"	9-7/8"	8-3/4"	58
NJS15	1-1/2	1	19-3/4"	9-7/8"	8-3/4"	65



Northam Inc.

995/C Griffin Pond Road, Clarks Summit, PA 18411, USA
 Phone : +1-570-659-7200, Email : sales@northam-inc.com

Product Improvement and changes are a continuous process at 'Northam'. The data given in this publication is therefore subject to revision.